

Slim NanoSaver® 2.0 Portable Keyed Laptop Lock

Part Number: K65025WW | UPC Code: 0 85896 65025 6

Portable security
that won't get
in the way.

The latest laptops from HP, Lenovo, and Asus increasingly feature the Kensington Nano Security Slot, offering all the security and benefits of the standard Kensington Security Slot™, yet 70% smaller.

However, these ultra-thin devices may be so slim that while a standard cable lock will fit, the thickness of the lock can be greater than the laptop itself. This prevents the device from lying flat on a surface, making the keyboard and trackpad uncomfortable to use.

With connectivity ports placed closer and closer together, a standard lock can also block adjacent ports, compromising functionality.

A re-designed version of the innovative Slim NanoSaver® Laptop Lock, the Slim NanoSaver® 2.0 Portable Keyed Laptop Lock features a smaller lock head, with the locking cleat positioned low, and the key cylinder up high and out of the way. This careful sizing and positioning of components has created a premium locking solution that won't block ports and allows ultra-thin and 2-in-1 laptops with nano lock slots to lie flat and stable.

A self-coiling carbon steel cable stretches up to six feet (1.8m) and shrinks down to three inches (76mm), making this lock easily transportable.

Strength tested and verified for industry-leading standards in torque/pull, foreign implements, lock lifecycle, corrosion, and other environmental conditions, the lock is backed by a five-year limited warranty, so you can rest assured knowing you're covered by Kensington, inventor and a worldwide leader in laptop security locks.

Features include:

- Easily transportable self-coiling carbon steel cable
- Slim profile won't block ports and allows laptop to lie flat and stable
- Verified and tested
- 5mm keying system
- Register & Retrieve™
- Five-year limited warranty

Slim NanoSaver® 2.0 Portable Keyed Laptop Lock

Part Number: K65025WW | UPC Code: 0 85896 65025 6



Self-Coiling Carbon Steel Cable

Easily transportable and cut-resistant, stretching up to six feet (1.8m) and shrinking down to three inches (76mm). Protective sheathing helps keep attachment points such as desks and tables free from scratches.



Won't Block Ports, Allows Ultra-Thin & 2-in-1 Laptops to Lie Flat and Stable

Slim nano lock head design won't interfere with I/O ports or raise the device off its surface.



Verified and Tested

Each Kensington lock is precision engineered to meet or exceed rigorous industry standards for strength, physical endurance, and mechanical resilience.



5mm Keying System

Common across all of Kensington's latest locks, so there's only one keying system to manage. Smaller key opening helps thwart picking attempts.



Register & Retrieve™

Register & Retrieve™

Kensington's online key registration program that allows for quick, secure, and free key replacement if ever lost or stolen.



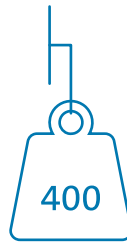
Five-Year Limited Warranty

Rest assured knowing you're covered by Kensington, inventor and a worldwide leader in laptop security locks.

Strength Features – Portable Cable Locks



Locks designed and tested to withstand a minimum straight pull force of 200lb.



Locks designed and tested to withstand a minimum side pull force of 400lb.



Carbon steel cable resists minimum cutting forces of 250 lbf. Sheathing cover offers security, and greater mobility while protecting surfaces from scratches.



Cable rotation, lock attachment, and lock tip rotation tested to 8,000 cycles.



Lock heads designed and tested to withstand extreme temperatures ranging from -22° to 149° Fahrenheit (-30° to 65° Celsius)



Lock body tested for materials structural integrity. (Drop damage, hard impact, vibrations, and corrosion)



Slim NanoSaver® 2.0 Portable Keyed Laptop Lock

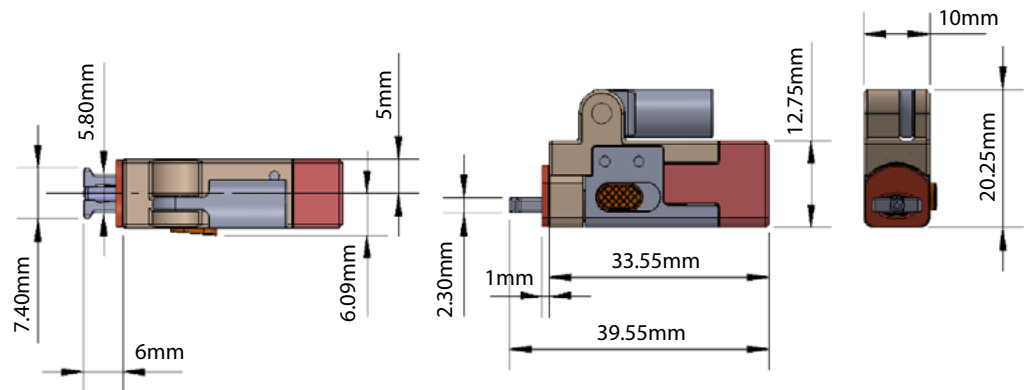
Part Number: K65025WW | UPC Code: 0 85896 65025 6

Material Specifications

Lock Head	Zinc Die Cast
Keys	Zinc Die Cast + Plastic Cover
Cable Lock	Carbon Steel with Plastic Sheath
Product Color	Silver

Product Dimensions

Lock Head Dimensions	Slim NanoSaver Keyed Lock only: 0.44 x 0.80 x 1.56in (11.1 x 20.26 x 39.55mm)
Cable Dimensions	Coiled Cable: Diameter 0.14in (3.5mm)
Unit Weight	3.5oz (102g)



Packaging Dimensions

Packaging Style	Polybag
Packaging Dimensions	1.02 x 4.92 x 7.87in (26 x 125 x 200mm)
Packaging Weight	4.1oz (116g)
Packaging Content	1x Slim NanoSaver Keyed Lock with Coiled Cable 2x User Keys 1x Instruction Guide 1x Warranty Card
Master Carton	25 units

Country of Origin, Regulatory, and Warranty

Country of Origin	China
Certifications & Compliance	RSL compliant. CA Prop65 compliant
Warranty	5-Years

Slim NanoSaver® 2.0 Portable Keyed Laptop Lock

Part Number: K65025WW | UPC Code: 0 85896 65025 6

Multiple SKUs

Slim NanoSaver® 2.0 Portable Keyed Laptop Lock	K65025WW K65026M - Master Keyed K65026L - Like Keyed K65026S - Supervisor Keyed
--	---



All specifications are subject to change without notice. Products may not be available in all markets. Kensington and the ACCO name and design are registered trademarks of ACCO Brands. Kensington The Professionals' Choice is a trademark of ACCO Brands. All other registered and unregistered trademarks are the property of their respective owners. © 2022 Kensington Computer Products Group, a division of ACCO Brands. All rights reserved. k22-21018p

FOR MORE INFORMATION CONTACT: 1-855-692-0054 | sales@kensington.com

Kensington

The Professionals' Choice™