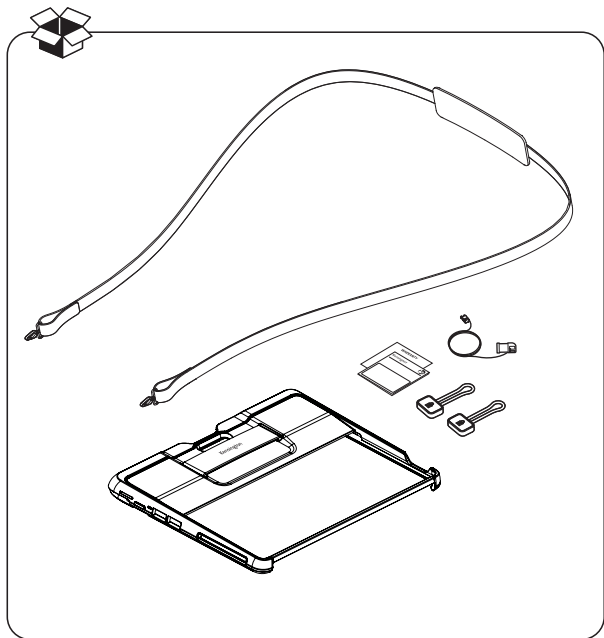


# Kensington®

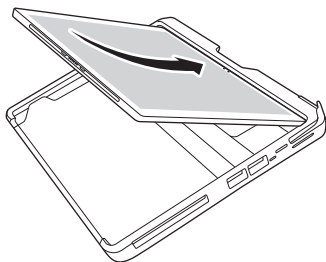


## BlackBelt™ Rugged Case for Surface™ Pro 8

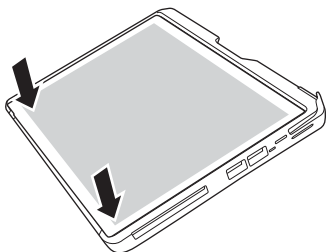


[kensington.com/register](https://kensington.com/register)

1

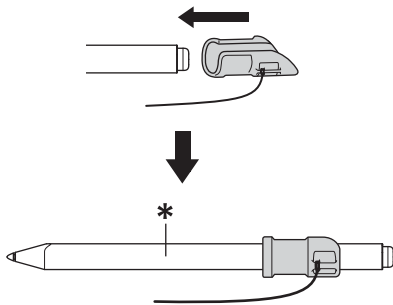


2



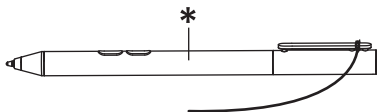
3

a

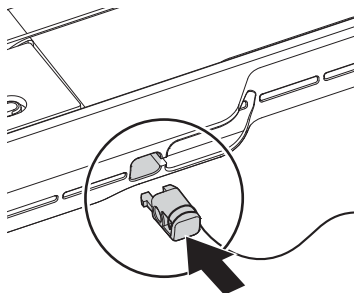


3

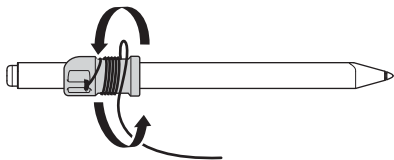
b



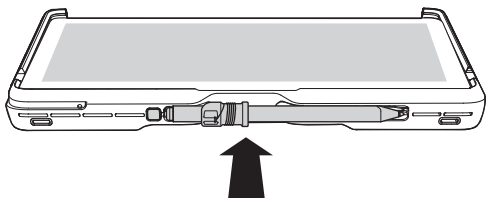
4



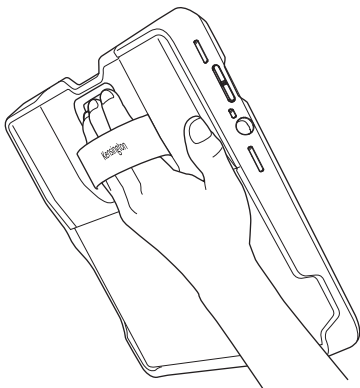
5



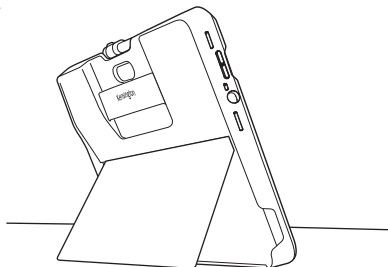
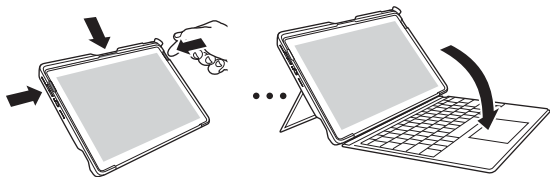
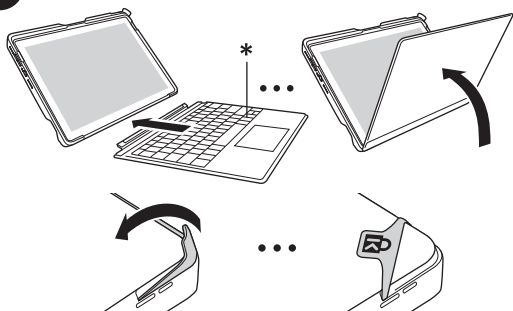
6

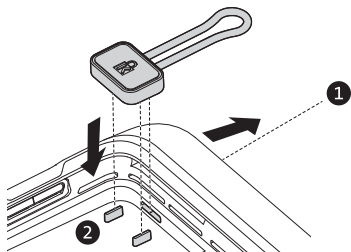
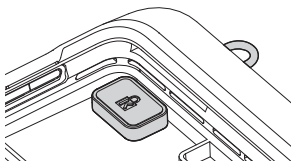
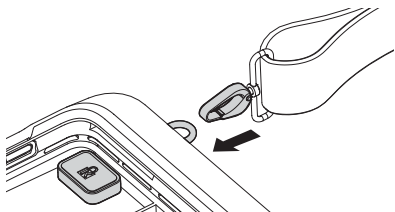


7

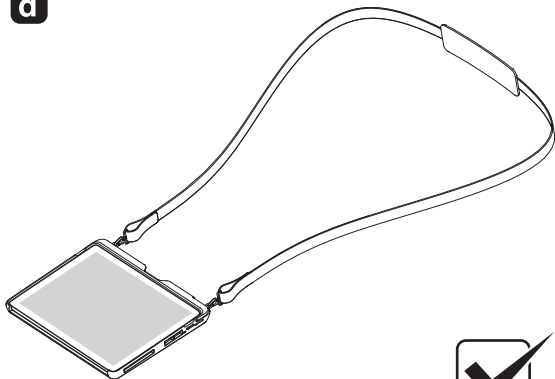


8



**9****a****b****c**

**d**



- |                                   |                                    |
|-----------------------------------|------------------------------------|
| <b>EN</b> * Sold separately       | <b>PL</b> * Sprzedawane oddzielnie |
| <b>DE</b> * Separat erhältlich    | <b>CZ</b> * Prodává se samostatně  |
| <b>FR</b> * Vendu séparément      | <b>SK</b> * Predáva sa samostatne  |
| <b>NL</b> * Sold Separately       | <b>HU</b> * Külön vásárolható meg  |
| <b>ES</b> * Se vende por separado | <b>RO</b> * Comercializat separat  |
| <b>IT</b> * Venduto separatamente | <b>RU</b> * Продаётся отдельно     |
| <b>PT</b> * Vendido em separado   | <b>UA</b> * Продається окремо      |
| <b>DK</b> * Skal købes separat    | <b>KZ</b> * Бөлек сатылады         |
| <b>NO</b> * Selges separat        | <b>TR</b> * Ayrıca Satılır         |
| <b>SE</b> * Säljs separat         | <b>GR</b> * Πωλείται ξεχωριστά     |
| <b>FI</b> * Myydään erikseen      | <b>CN</b> * 单独出售                   |
| <b>EE</b> * Müüakse eraldi        | <b>JP</b> * 別売                     |
| <b>LV</b> * Iegādājams atsevišķi  | <b>AE</b> * يُباع بشكل منفصل *     |
| <b>LT</b> * Įsigijama atskirai    |                                    |



[www.kensington.com/support](http://www.kensington.com/support)

Kensington and the ACCO name and design are registered trademarks of ACCO Brands. All other registered and unregistered trademarks are the property of their respective owners.

©2021 Kensington Computer Products Group, a division of ACCO Brands.

©2021 Microsoft. Microsoft, the Microsoft logo, Microsoft Surface, Surface, and the Microsoft Surface logo are trademarks of the Microsoft group of companies. All other trademarks are the property of their respective owners.

