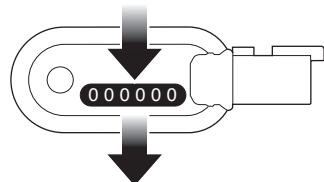


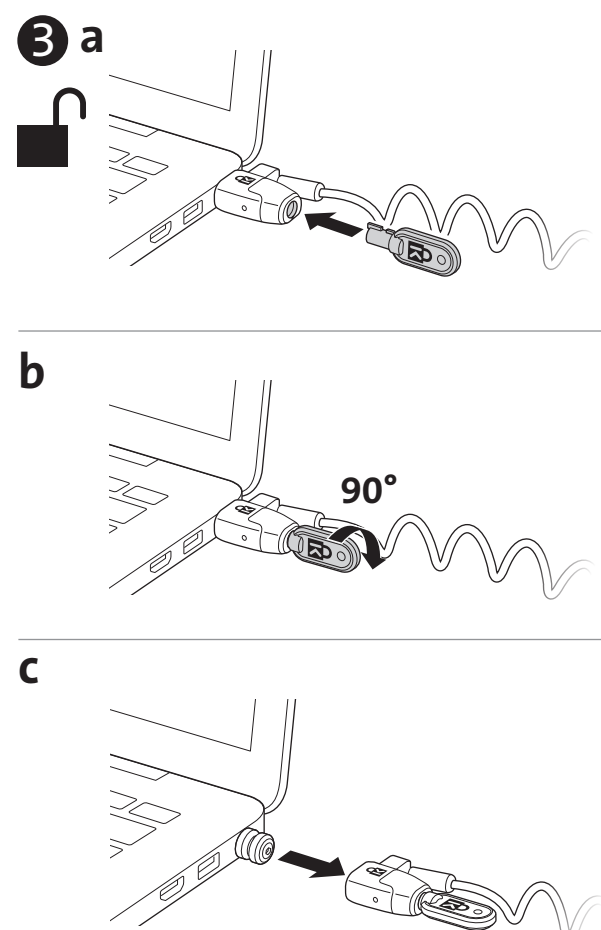
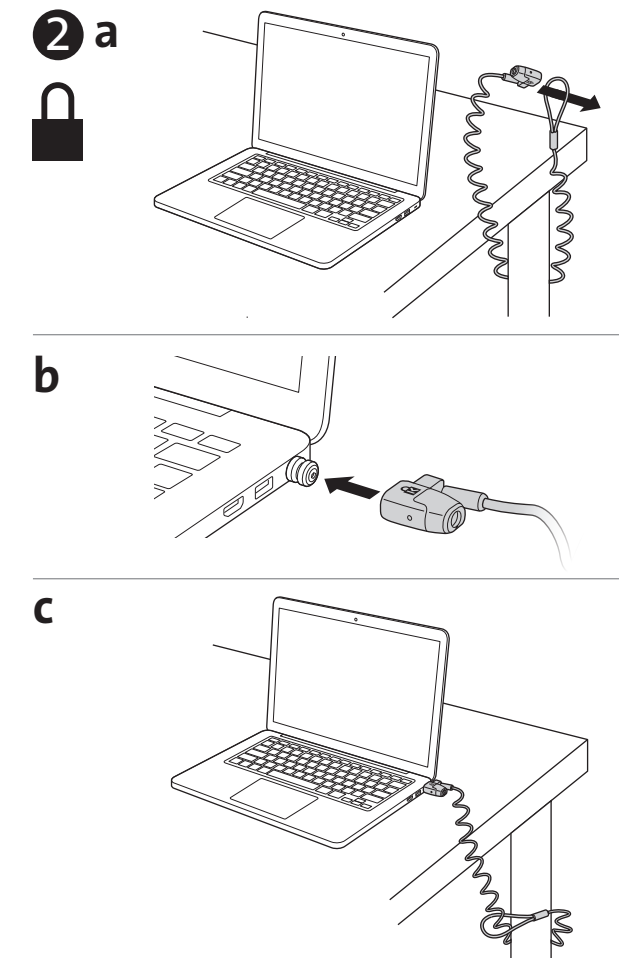
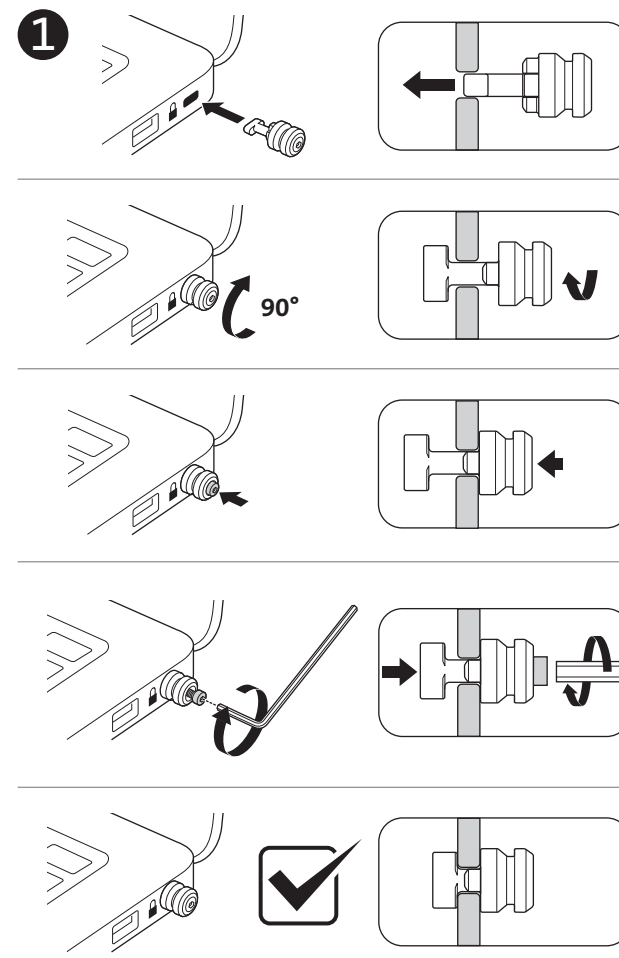
!

IMPORTANT! REGISTER YOUR KEY CODE! /
 IMPORTANT! ENREGISTREZ VOTRE CODE CLÉ! /
 WICHTIG! REGISTRIEREN SIE IHREN KEYCODE! /
 BELANGRIJK! REGISTREER UW SLEUTELCODE! /
 IMPORTANTE! EFFETTUARE LA REGISTRAZIONE DEL
 CODICE DELLA CHIAVE /
 IMPORTANTE: REGISTRE EL CÓDIGO DE LA LLAVE /
 FONTOS! REGISZTRÁLJA A KULCSKÓDJÁTI! /
 DŮLEŽITÉ! REGISTRUJTE KÓD SVÉHO KLÍČE! /
 WAŻNE! ZAREJESTRUJ KOD KLUCZYKA! /
 ВАЖНО! ЗАРЕГИСТРИРУЙТЕ СВОЙ КОД КЛЮЧА! /
 IMPORTANTE! FAÇA O REGISTO DO SEU CÓDIGO CHAVE! /
 مهم! تسجيل رمز المفتاح الخاص بك!



kensington.com/register

#



Kensington and the ACCO name and design, and ClickSafe are registered trademarks of ACCO Brands. All other registered and unregistered trademarks are the property of their respective owners.

©2017 Kensington Computer Products Group, a division of ACCO Brands. Any unauthorized copying, duplicating, or other reproduction of the contents hereof is prohibited without written consent from Kensington Computer Products Group. All rights reserved. 05/17

Kensington Computer Products Group A Division of ACCO Brands 1500 Fashion Island Blvd, 3rd Floor San Mateo, CA 94404		
ACCO Brands Europe A Division of ACCO Brands Europe Oxford House, Oxford Road Aylesbury, Buckinghamshire, HP21 8SZ United Kingdom	ACCO Brands Canada Inc 7383 Bramalea Rd Mississauga, ON L5S 1C4 Canada	ACCO Brands Australia - Kensington 2 Coronation Avenue Kings Park NSW 2148 Australia
Importado por ACCO Mexicana S.A. de C.V. Circuito de la Industria Norte # 6, Corredor Industrial Toluca Lerma, Lerma México Cp. 52004 R.F.C. AM640229-1W3 www.kensington.com	Acco Brands Chile S.A. Avda. San Josémaría Escribá de Balaguer Nº5773 Vitacura, C.P. 7640970 Santiago, Chile	Importado e Distribuído por: TILIBRA PRODUTOS DE PIRELLARIA LTDA. CNPJ: 44.990.901/0001-43 Rua Aymorés, 6-9 - Bauri/ SP - Brasil CEP 17013-900

K64830

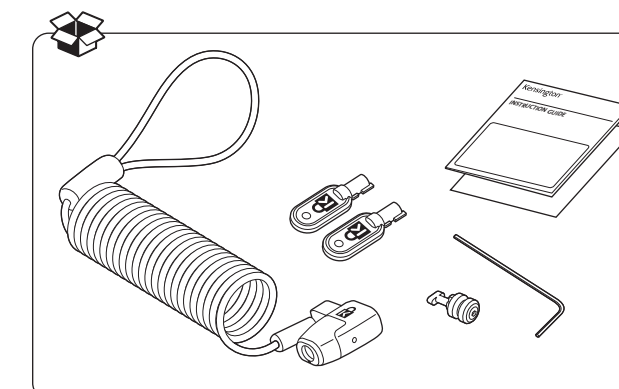
901-9345-00

Kensington®

ClickSafe® 2.0 Portable Keyed Laptop Lock

INSTRUCTION GUIDE
 GUIDE D'INSTRUCTIONS
 BEDIENUNGSANLEITUNG
 HANDLEIDING
 MANUALE DI ISTRUZIONI
 MANUAL DE INSTRUCCIONES

HASZNÁLATI ÚTMUTATÓ
 PŘÍRUČKA S POKYNY
 INSTRUKCJA OBSŁUGI
 РУКОВОДСТВО ПОЛЬЗОВАТЕЛЯ
 MANUAL DE INSTRUÇÕES
 دليل التعليمات



Register Now!
 Enregistrer maintenant!
 Jetzt registrieren!
 Nu registreren
 Registrar ahora
 Registra adesso

Regisztráljon most!
 Zaregistrujte se nyní!
 Zarejestruj się!
 Зарегистрироваться!
 Registre-se agora!
 سجل الآن!

kensington.com/register