

6" Wall Bracket

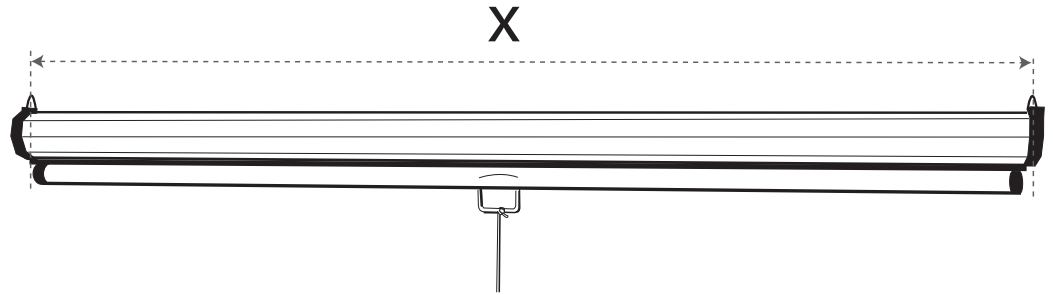


For Projection Screens, Manual/Electric Screens

AW6Q

1

ITEM	"X"
660S	63 - 1/4"
670S	73 - 1/8"
684S	87 - 3/32"
696S	99 - 3/32"
770S	76 - 3/8"



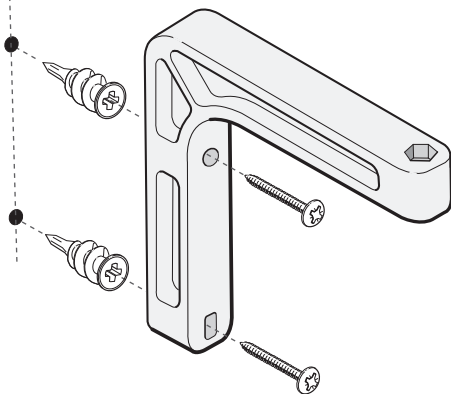
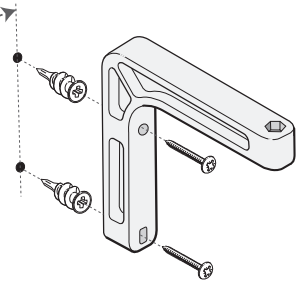
2



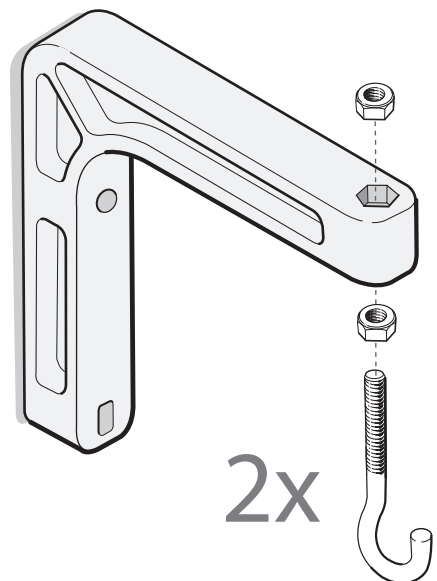
Use appropriate fasteners to hold the weight of the screen



X



3



2x