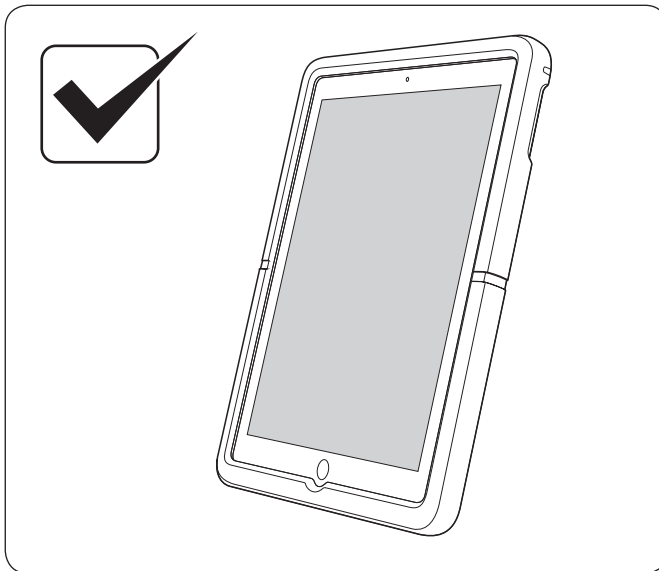
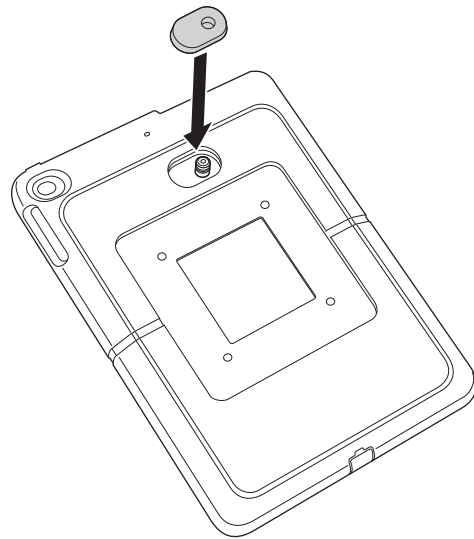


# SecureBack Rugged Case for iPad Air/iPad Air 2 K67738

7



5

Technical Support / Assistance technique / Technischer Support /  
Technische ondersteuning / Supporto tecnico / Asistencia técnica /  
Műszaki támogatás / Technická podpora / Pomoc techniczna /  
Техническая поддержка / Assistència tècnica / Soutien technique /  
Asistencia técnica / Suporte Técnico

Australia	1300 881 931	Nederland	010 713 1882
België / Belgique	02 401 2395	New Zealand	0800 539 26273
Brasil	14 3235-4003	Norway	80017520
Canada	1 800 268 3447	Österreich	0800 677 873
Denmark	80 250966	Polska	22 570 18 00
Deutschland	0692 222 3654	Portugal	800855802
España	911 146 735	Russia	007 495 933 5163
Finland	0800 9 15697	Schweiz / Suisse	044 580 6667
France	01 7671 0404	Sveden	08 5033 6577
Hungary	06 20 9430 612	United Kingdom	0203 364 5390
Ireland	01 431 1395	United States	1 800 535 4242
Italia	02 3604 7030	International Toll	+31 53 484 9135
México	55 15 00 57 00		

Kensington and the ACCO name and design are registered trademarks of ACCO Brands. The Kensington Promise is a service mark of ACCO Brands. SecureBack is a trade mark of ACCO Brands. iPad is a registered trademark of Apple Inc., registered in the U.S. and other countries. All other registered and unregistered trademarks are the property of their respective owners.  
© 2015 Kensington Computer Products Group, a division of ACCO Brands USA LLC. Any unauthorized copying, duplicating, or other reproduction of the contents hereof is prohibited without written consent from Kensington Computer Products Group. All rights reserved. 06/15

**Kensington Computer Products Group**  
A Division of ACCO Brands  
1500 Fashion Island Blvd, 3rd Floor  
San Mateo, CA 94404

**ACCO Brands Europe**  
A Division of ACCO Brands Europe  
Oxford House, Oxford Road  
Aylesbury, Buckinghamshire,  
HP21 8SZ  
United Kingdom

**ACCO Brands Canada Inc**  
7381 Bramalea Rd  
Mississauga,  
ON L5S 1C4

**Importado por ACCO Mexicana S.A. de C.V.**  
Circuito de la Industria Norte # 6,  
Corredor Industrial Toluca Lerma,  
Lerma México Cp. 52004  
R.F.C. AME640229-1W3

**Acco Brands Chile S.A.,**  
Avda. San Josemaría  
Escrivá de Balaguer N°5773  
Vitacura, C.P. 7640870  
Santiago, Chile

**Importado e Distribuido por:**  
TILIBRA PRODUTOS DE PAPELARIA LTDA.  
CNPJ: 44.990.901/0001-43  
Rua Aymorés, 6-9 – Bauru/SP – Brasil  
CEP 17013-900  
www.kensington.com.br

Designed in California, U.S.A. by Kensington  
Made in China Patents Pending [www.kensington.com](http://www.kensington.com)

K67738

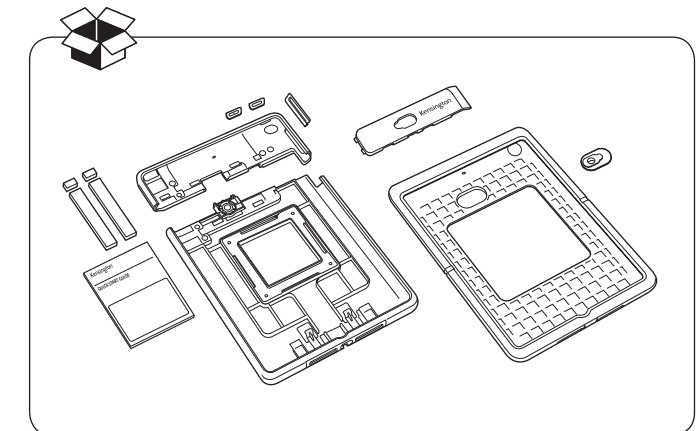
901-4164-01

## Kensington®

### SecureBack™ Rugged Case for iPad Air®/iPad Air 2

QUICK START GUIDE  
GUIDE DE DEMARRAGE RAPIDE  
KURZANLEITUNG  
SNELSTARTGIDS  
GUIDA RÁPIDA  
GUÍA RÁPIDA  
GYORSKALAUZ  
PŘÍRUČKA ZAČÍNÁME

SZYBKI START  
КРАТКОЕ РУКОВОДСТВО  
ПОЛЬЗОВАТЕЛЯ  
MANUAL DE INÍCIO RÁPIDO  
GUIDE DE DÉMARRAGE RAPIDE  
GUÍA DE INICIO RÁPIDO  
GUIA DE INÍCIO RÁPIDO



**Register Now!**  
Enregistrer maintenant !  
Jetzt registrieren!  
Nu registreren  
Registrar ahora  
Registra adesso

**Regisztráljon most!**  
Zaregistrujte se nyní!  
Zarejestruj się!  
Зарегистрироваться!  
Registe-se agora!

[register.kensington.com](http://register.kensington.com)

# SecureBack Rugged Case for iPad Air/iPad Air 2 K67738

