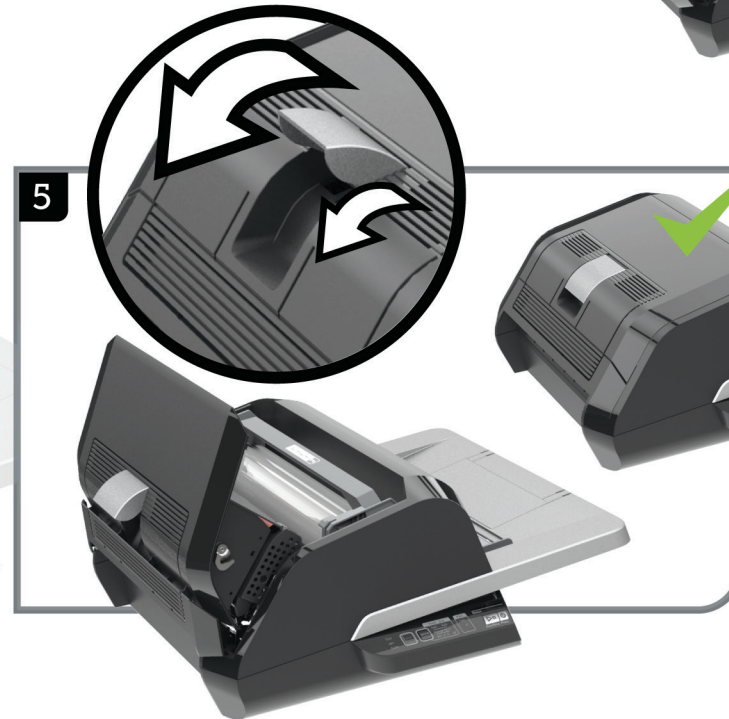
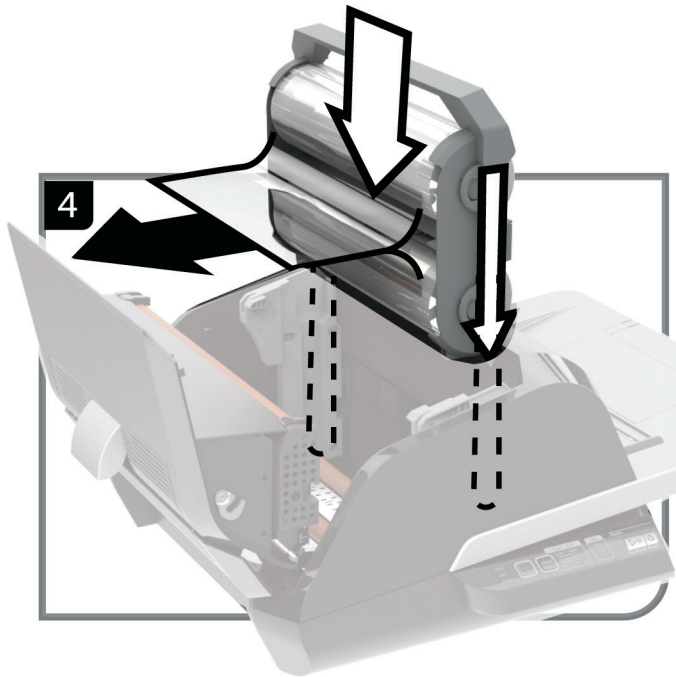
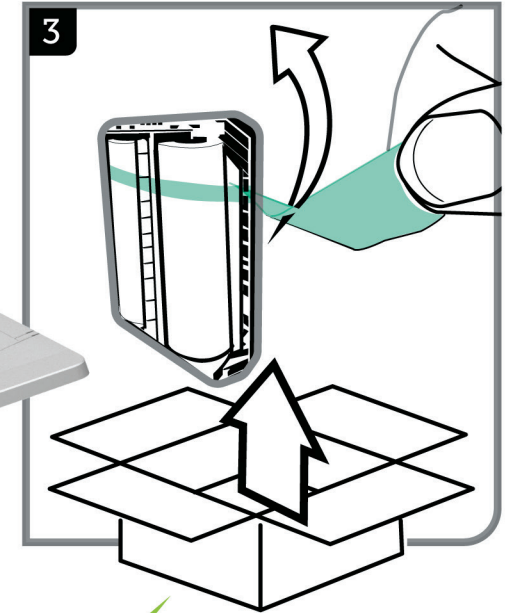
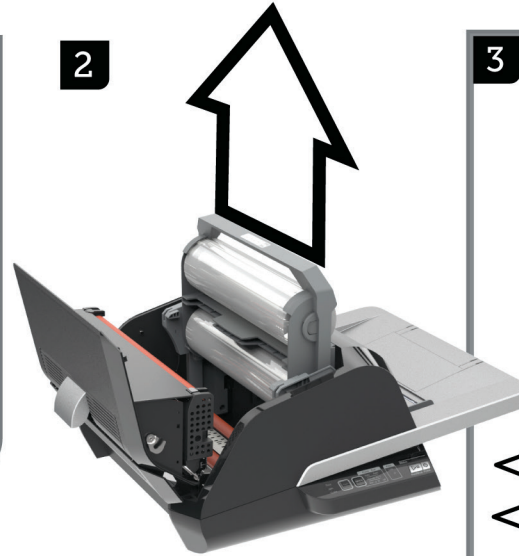
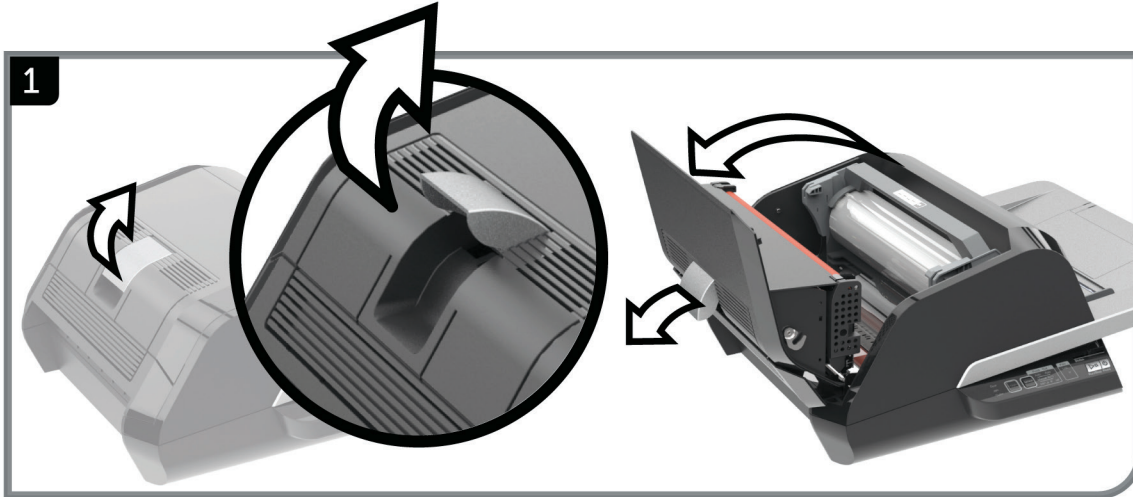


GBC® Quick Start FOTON® 30

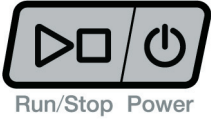
AUTOMATIC POUCH-FREE LAMINATOR





Quick Start FOTON® 30

AUTOMATIC POUCH-FREE LAMINATOR



Power:

Turns on unit and begins warming process, press again to turn off.

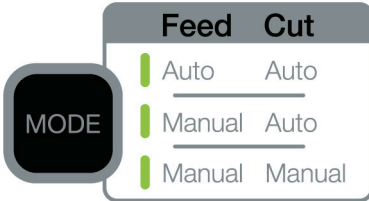
Run/Stop: Starts and stops lamination.



Activates Cutter:

Press while in Manual Feed / Manual Cut Mode to separate documents.

Important! Verify completed document before use.



Mode:

Press to cycle through operation modes as outlined below.



Error States:

Door indicates a door is ajar.

Jam indicates a document jam.

Cutter indicates a cutter error.



Manual Feed Ready:

Used to indicate when to insert document in manual feed modes.



Film Status:

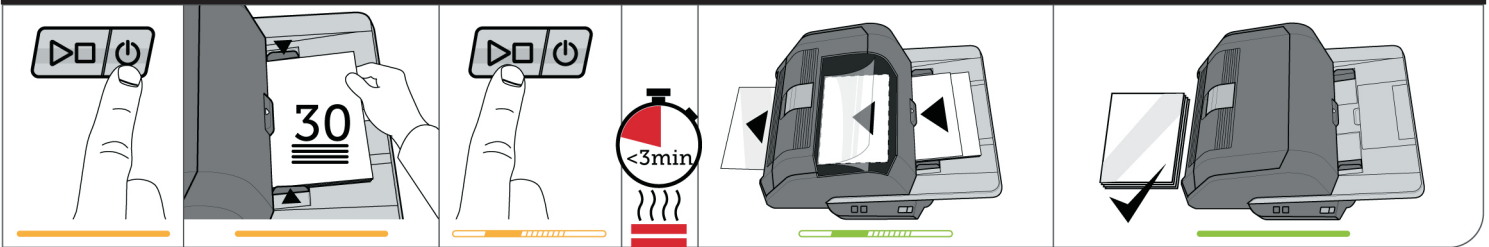
Low indicates approx. 30 documents remaining.

Empty indicates cartridge must be replaced to continue.

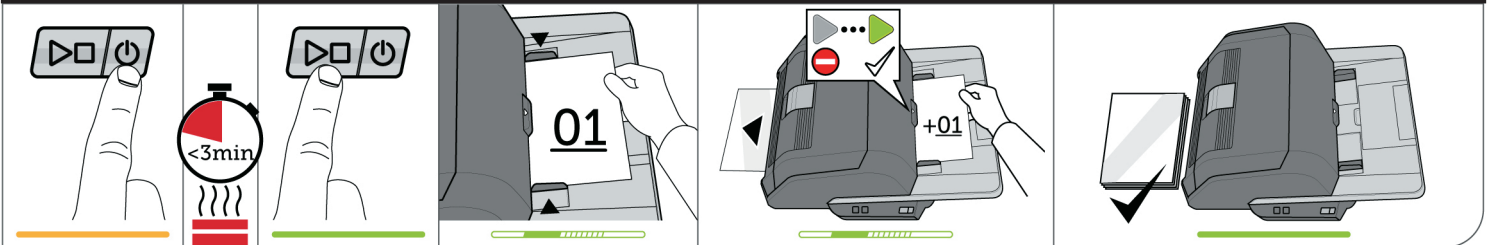
Status:

Used to indicate Warming, Ready, Running, and Error states.

Auto Feed / Auto Cut Mode



Manual Feed / Auto Cut Mode



Manual Feed / Manual Cut Mode

