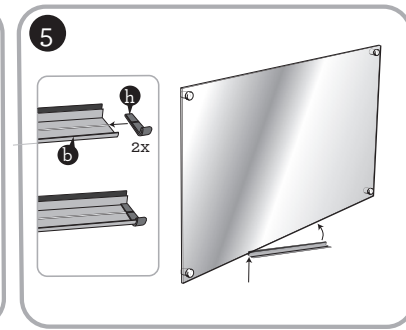
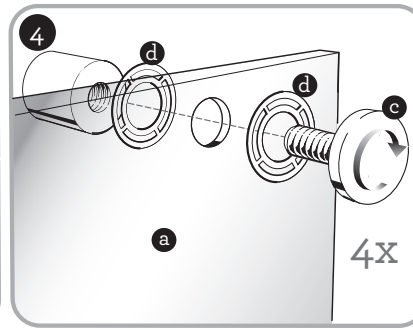
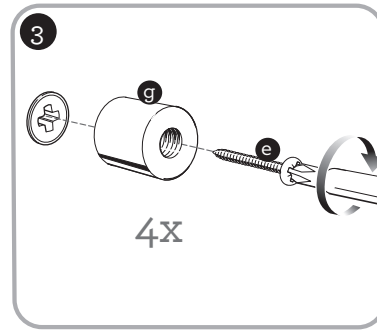
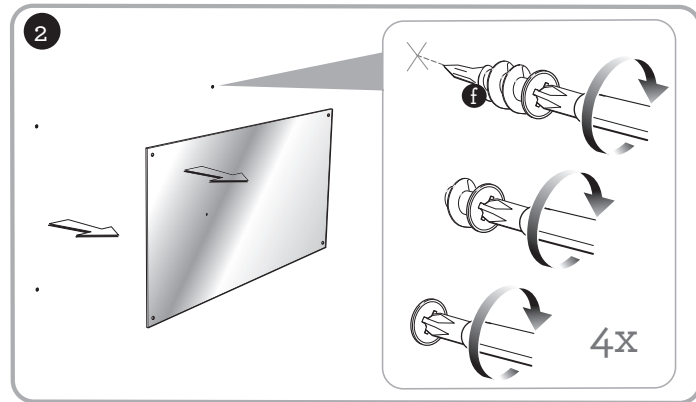
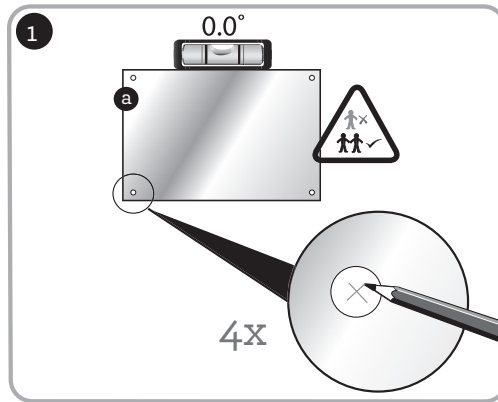
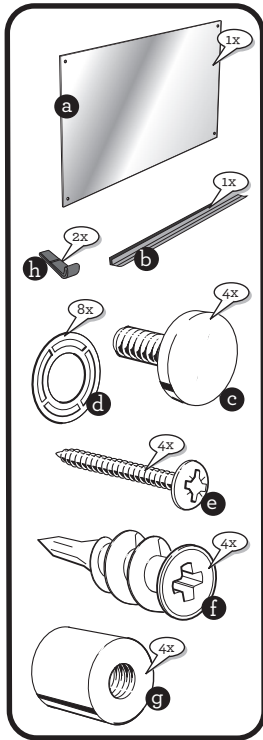


GLASS BOARDS

1.5x2', 2x3', 3x4'



ACCO Brands (Returns Center)
 101 Bolton Ave. 9E
 Booneville, MS 38829 USA
 Tel: 800-541-0094
 www.acco.com
 www.quartet.com

ACCO Brands accepts no liability if the product is not assembled and used in the correct way. Please use the correct fixings for your wall type.

APRIL 2019