



brought to you by

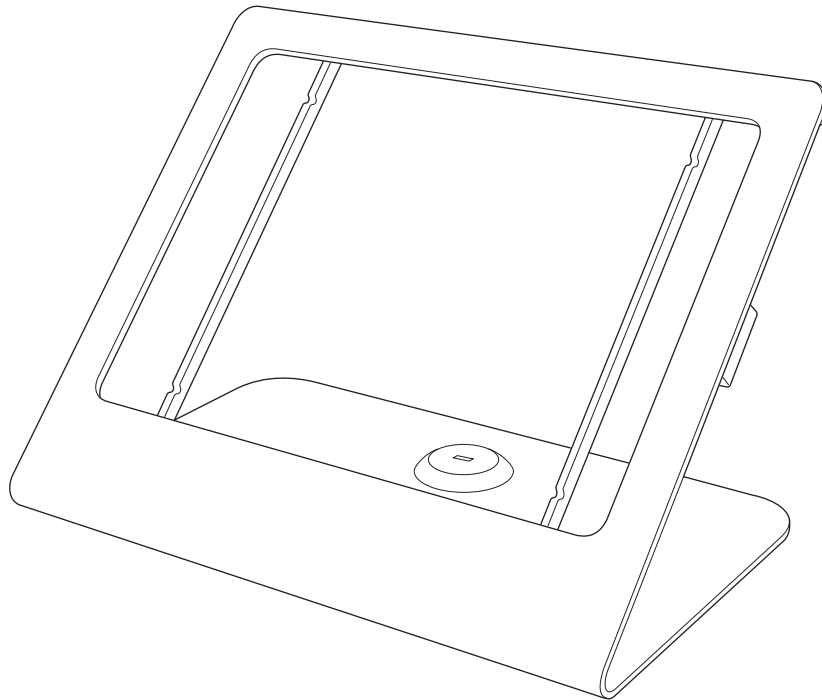
Kensington[®]

The Professionals' Choice™

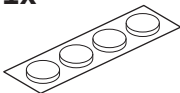
Windfall POS Stand for Extended Stay (H953-BG)

QUICK START GUIDE

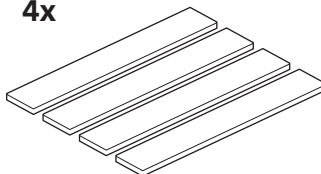
Compatible with
iPad Pro 9.7-inch
iPad (5th Gen)
iPad (6th Gen)



1x



4x

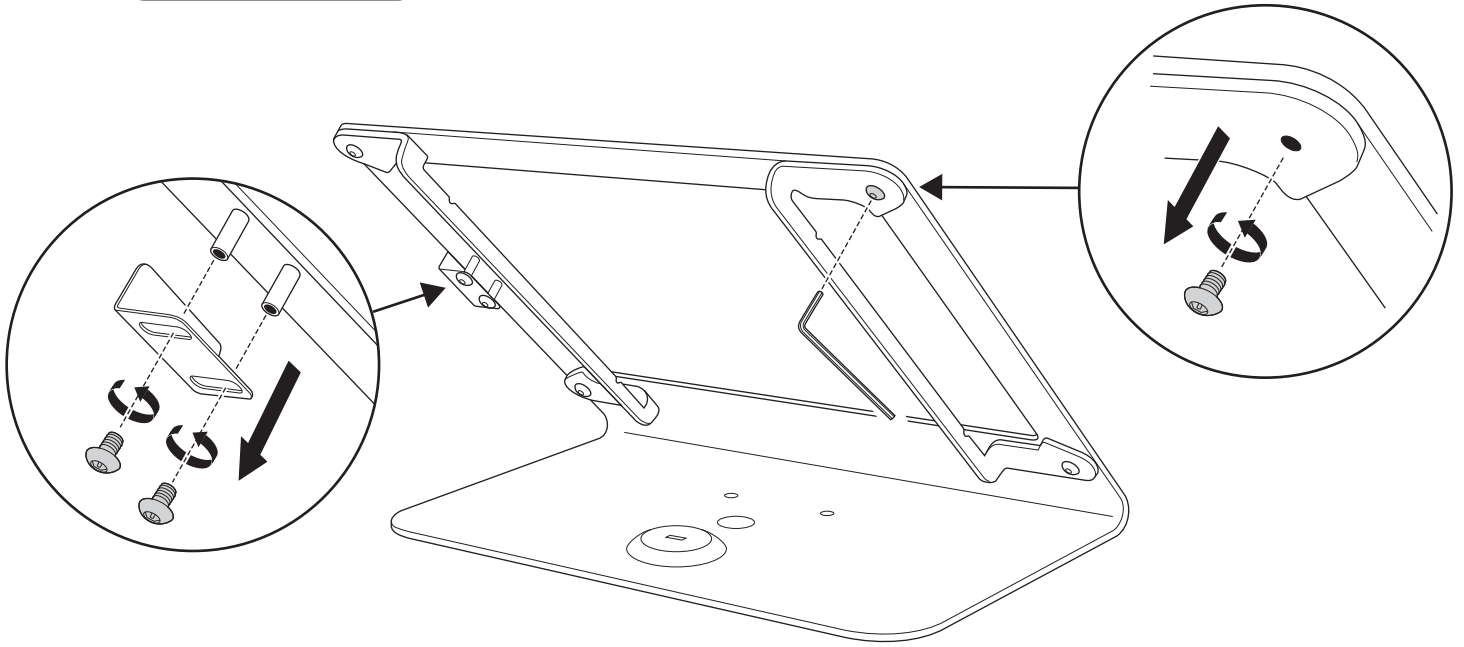
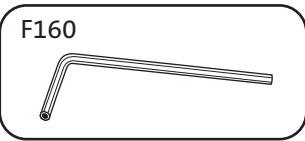


1x

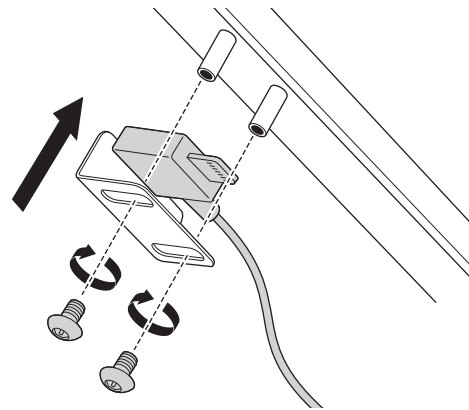


F160
Hex assembly tool

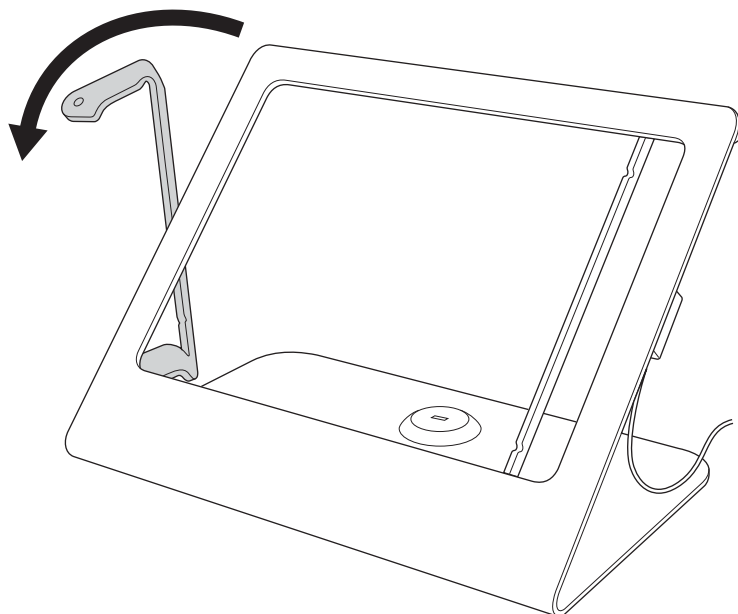
1



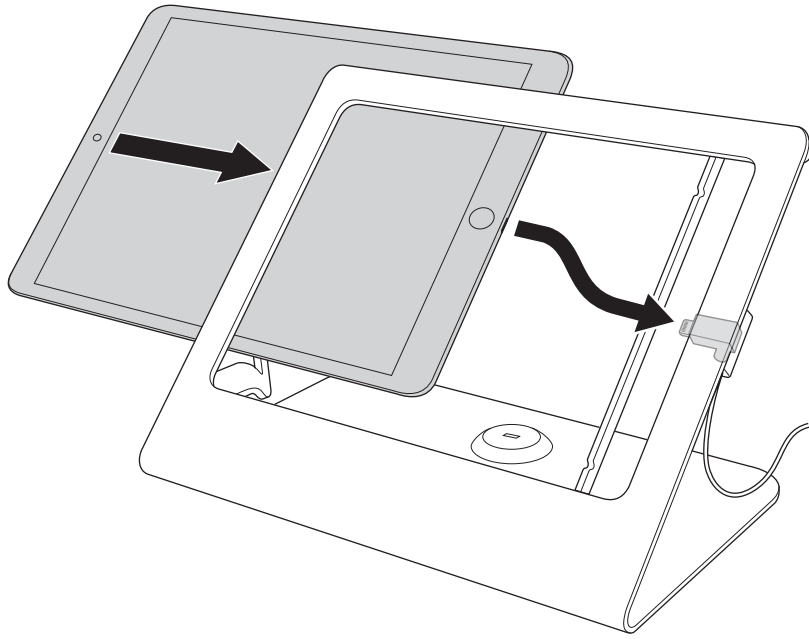
2



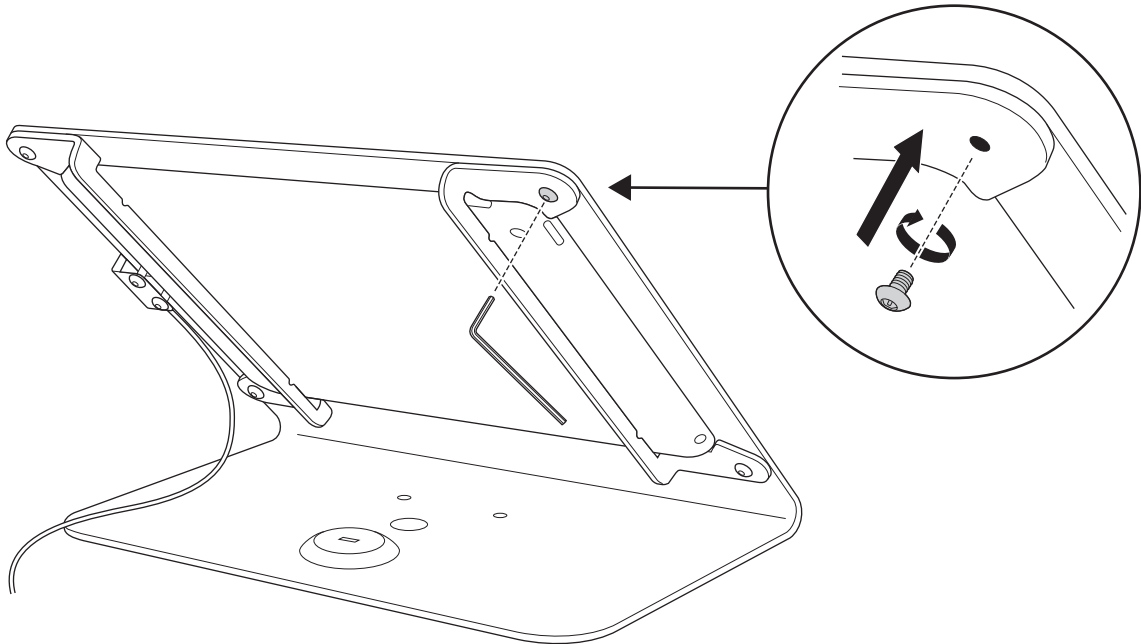
3



4

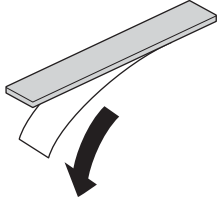


5

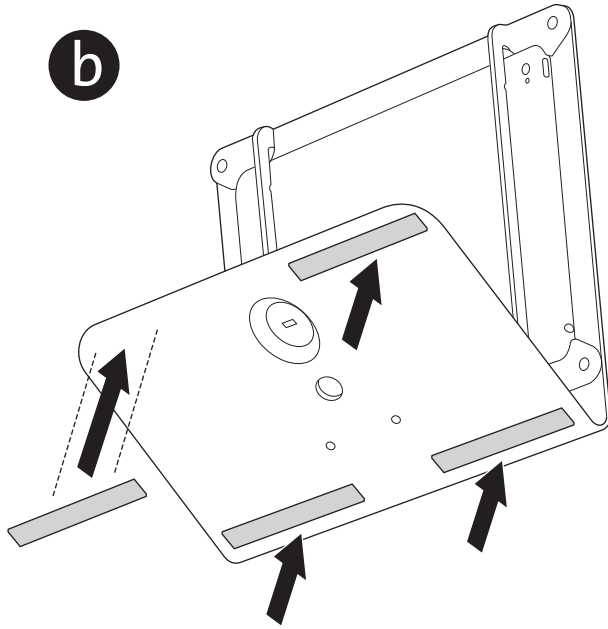


6

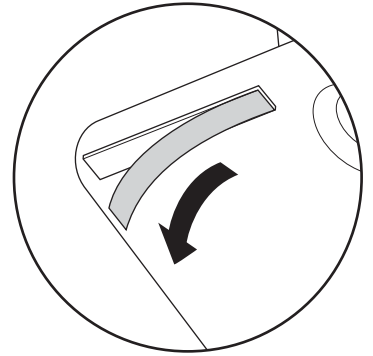
a



b



c



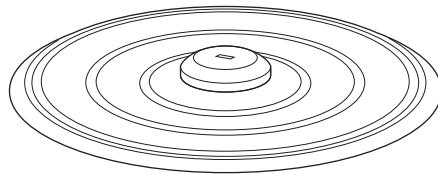
Sold separately

A

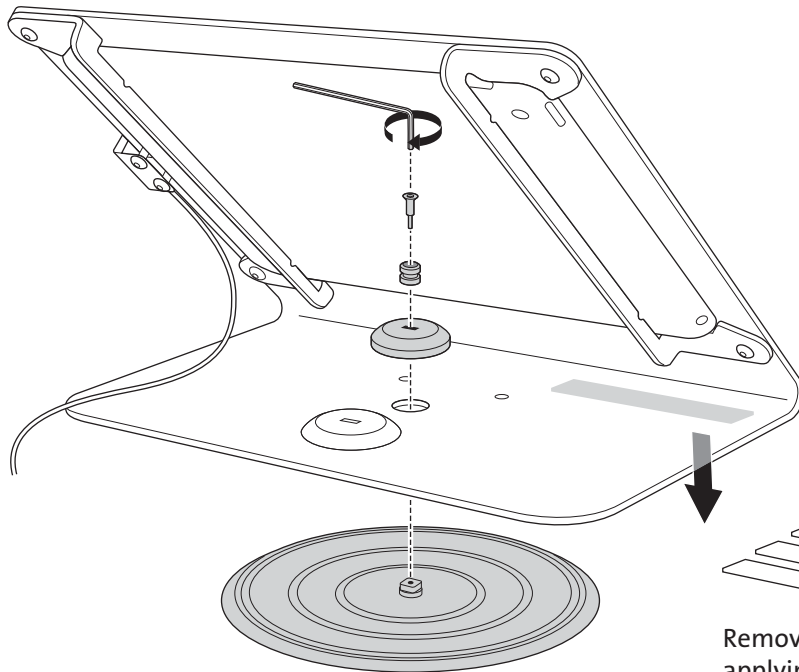
Sold separately



ClickSafe anchor



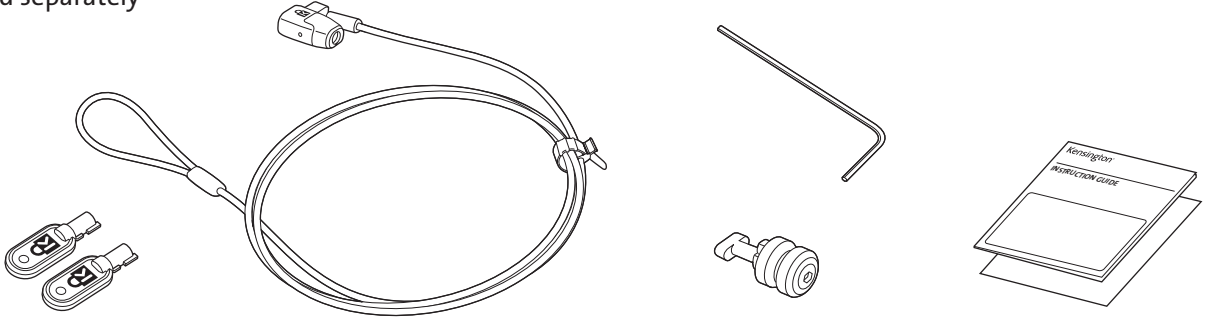
PivotTable



Remove VHB strips before applying PivotTable kit.

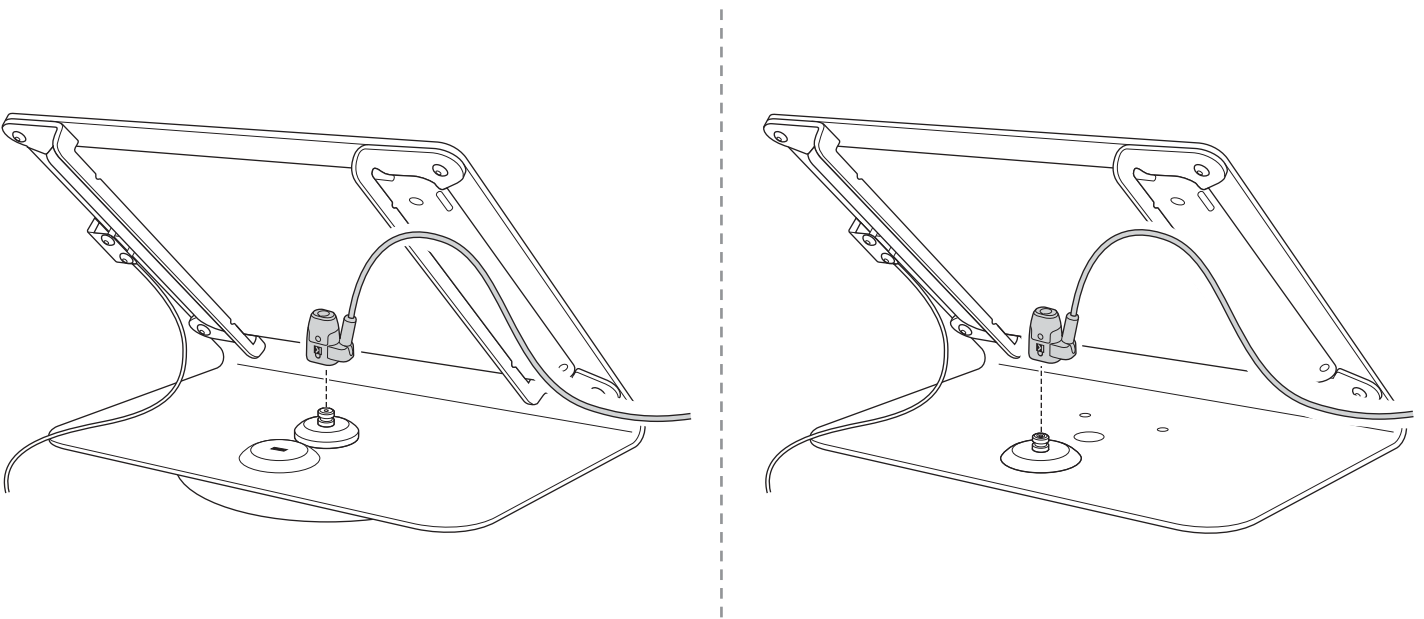
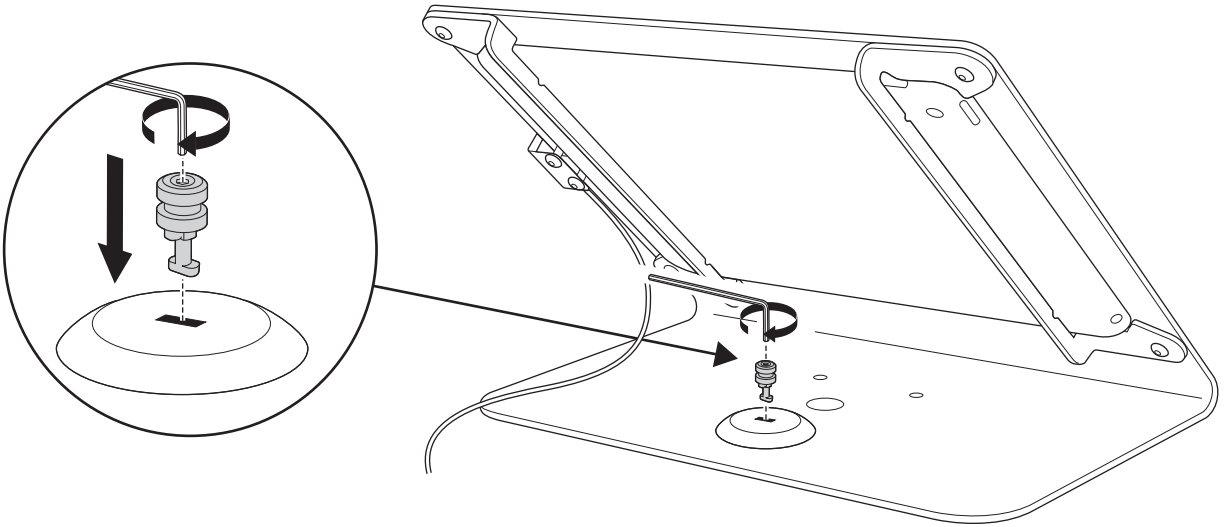
B

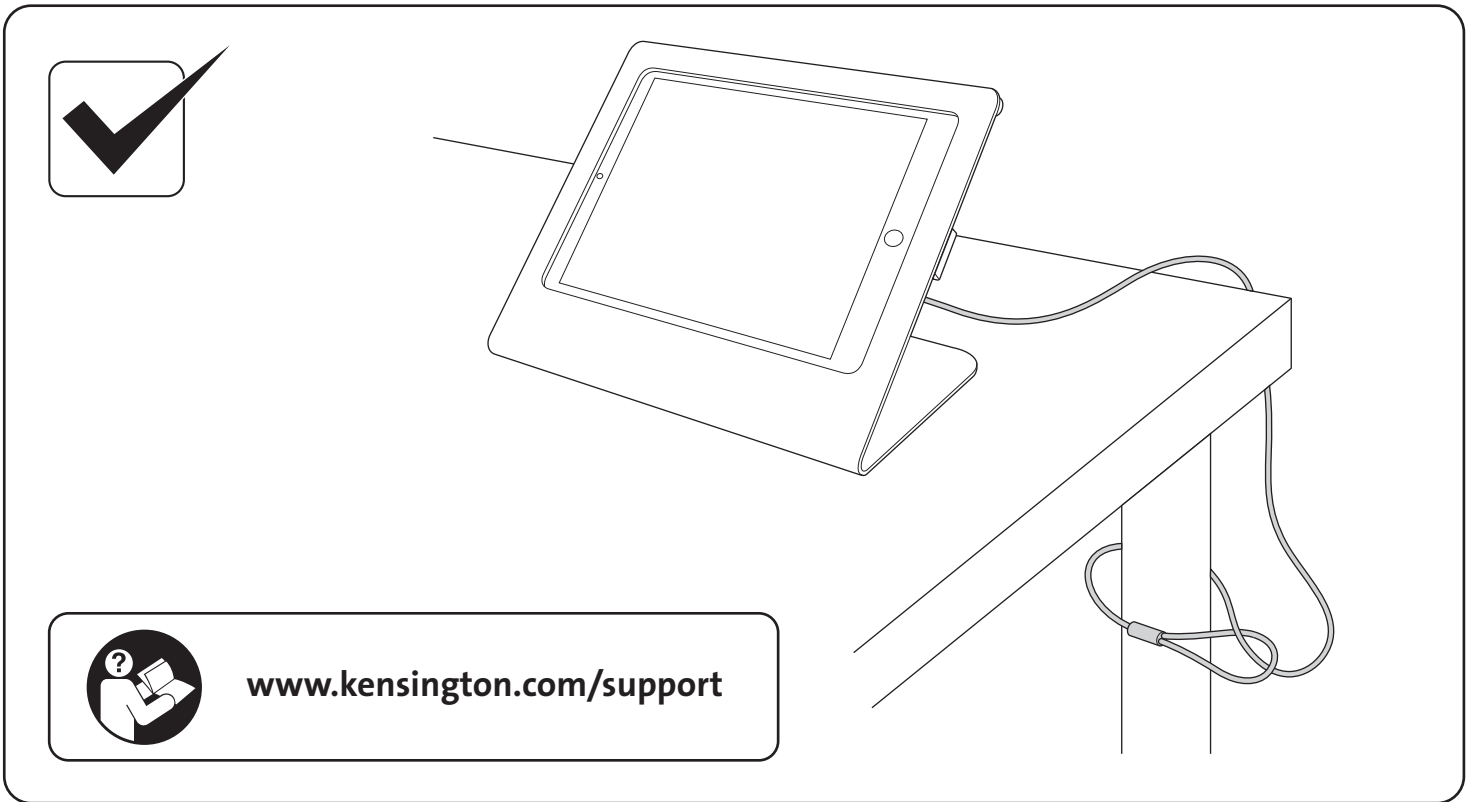
Sold separately



ClickSafe 2.0 with cable

ClickSafe anchor





2-Year Warranty


Heckler Design warrants your product to be free from defect in material and workmanship for a period of two years from the original date of purchase. Electronic components are warranted to be free from defect for a period of one year from the original date of purchase. If you discover a defect, please contact service@hecklerdesign.com. Heckler Design will repair, at our discretion, using new or refurbished components. If repair is not possible, Heckler Design will replace the item.

Technical Support

Australia	1300 881 931	México	55 15 00 57 00
België / Belgique	02 401 2395	Nederland	010 713 1882
Brasil	14 3235-4003	New Zealand	0800 539 26273
Canada	1 800 268 3447	Norway	80017520
中国	400 0684 219	Österreich	0800 677 873
Denmark	80 250966	Polska	22 570 18 00
Deutschland	0692 222 3654	Portugal	800855802
España	911 146 735	Россия	007 495 933 5163
Finland	0800 9 15697	Schweiz / Suisse	044 580 6667
France	01 7671 0404	Singapore	+65-6776-0195
Hong Kong	00852 2823 5130	Sweden	08 5033 6577
Hungary	06 20 9430 612	United Kingdom	0203 364 5390
Ireland	01 431 1395	United States	1 800 535 4242
Italia	02 3604 7030	International Toll	+31 53 484 9135
Japan	+81 04-7129-2135		

Kensington and the ACCO name and design are registered trademarks of ACCO Brands. SmartFit is a registered trade mark of ACCO Brands. All other registered and unregistered trademarks are the property of their respective owners.

©2018 Kensington Computer Products Group, a division of ACCO Brands. Any unauthorized copying, duplicating, or other reproduction of the contents hereof is prohibited without written consent from Kensington Computer Products Group. All rights reserved. 06/18



Kensington Computer Products Group
A Division of ACCO Brands
 1500 Fashion Island Blvd, 3rd Floor
 San Mateo, CA 94404

www.kensington.com

