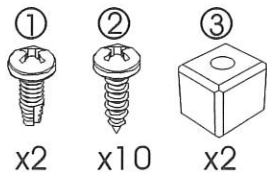
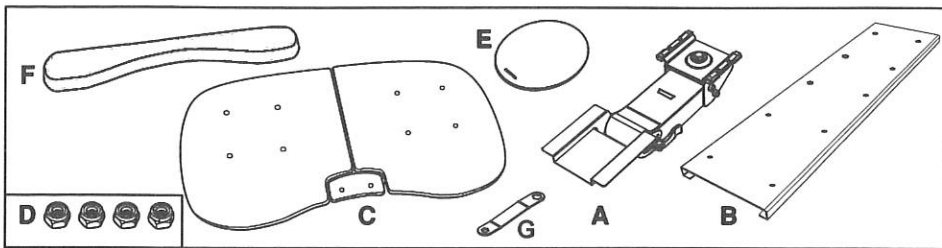
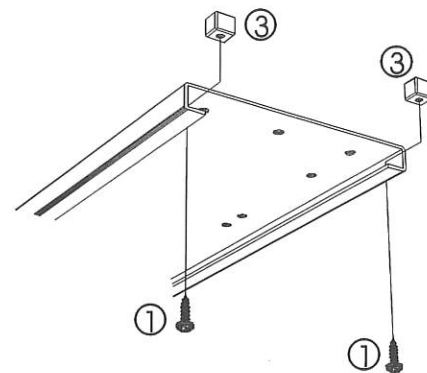
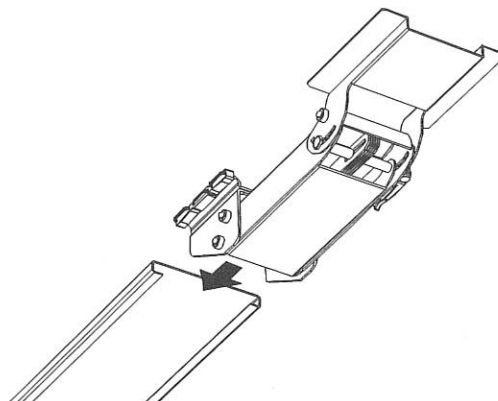
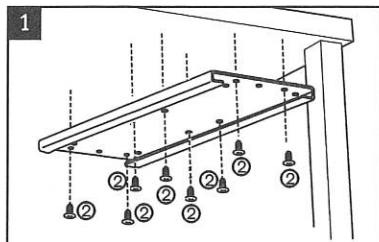


Parts:

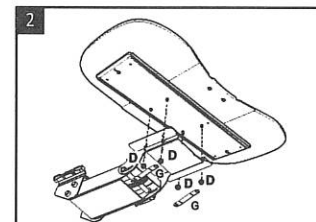
- 1 Articulating Arm (A)
- 1 Track (B)
- 1 Keyboard Tray (C)
- 4 4M x 7mm Locking Nuts (D)
- 1 Mouse Pad (E)
- 1 Wrist Rest (F)
- 1 Wrench (G)



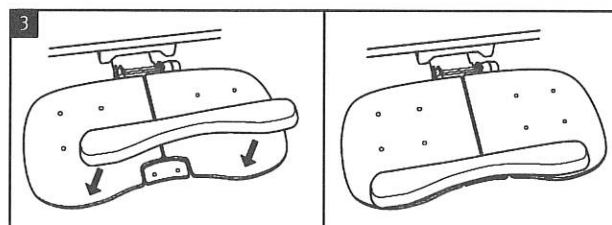
x2 x10 x2



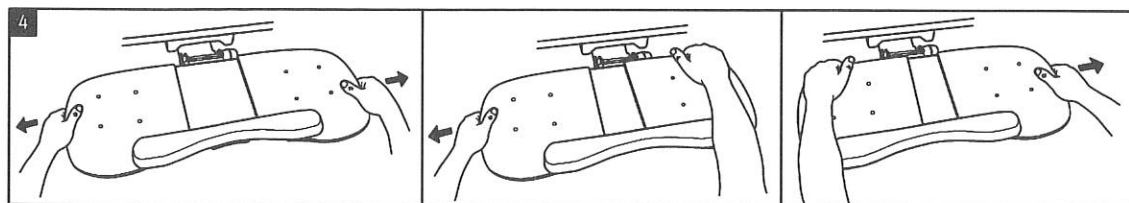
2. Attach Keyboard Tray to Articulating Arm using Locking Nuts. Slide Articulating Arm into Track and secure.



3. Attach Wrist Rest to Keyboard Tray.



4. Expand the Keyboard Tray to desired width.



5. Add Mouse Pad and enjoy your Expandable Articulating Keyboard Drawer.

