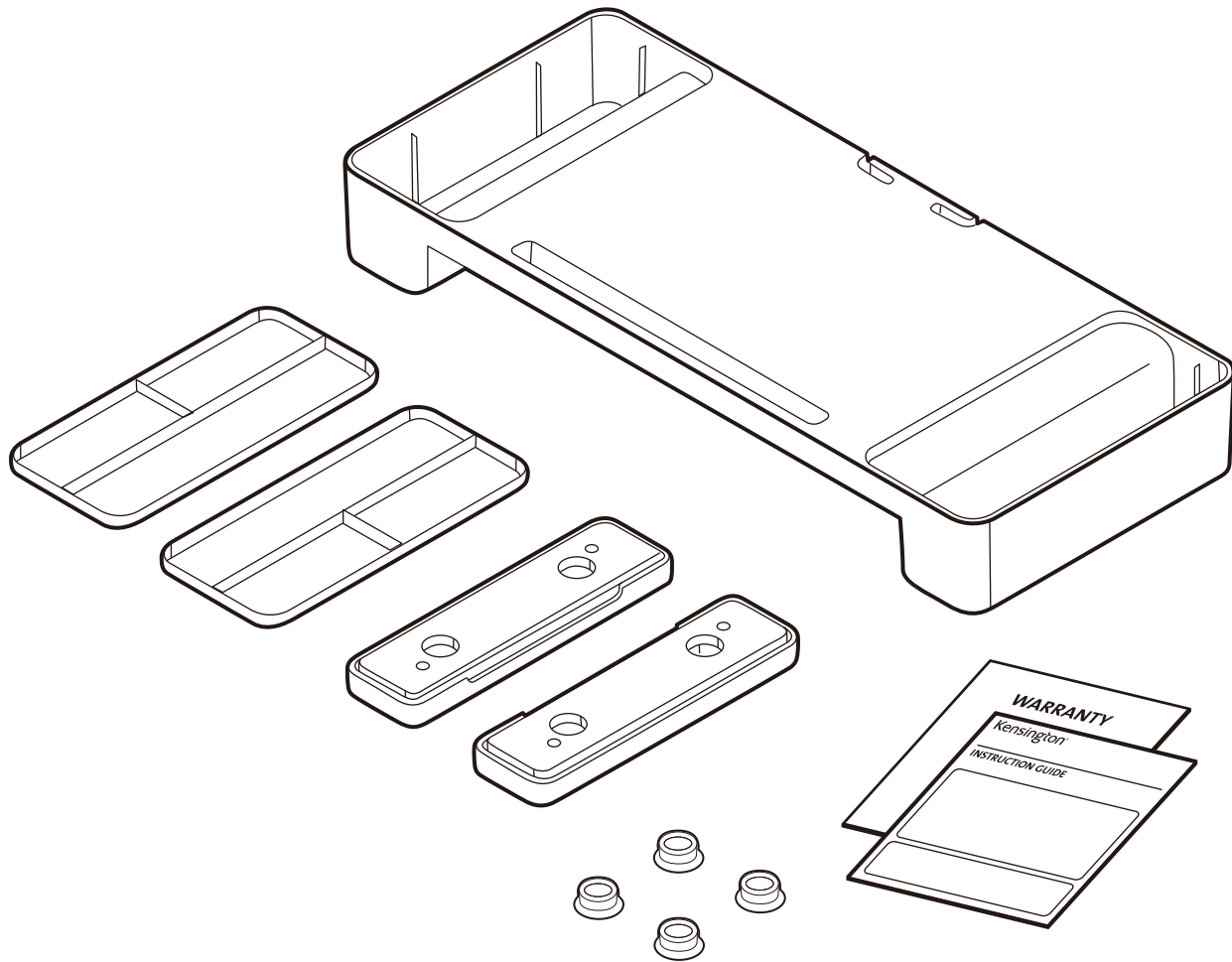


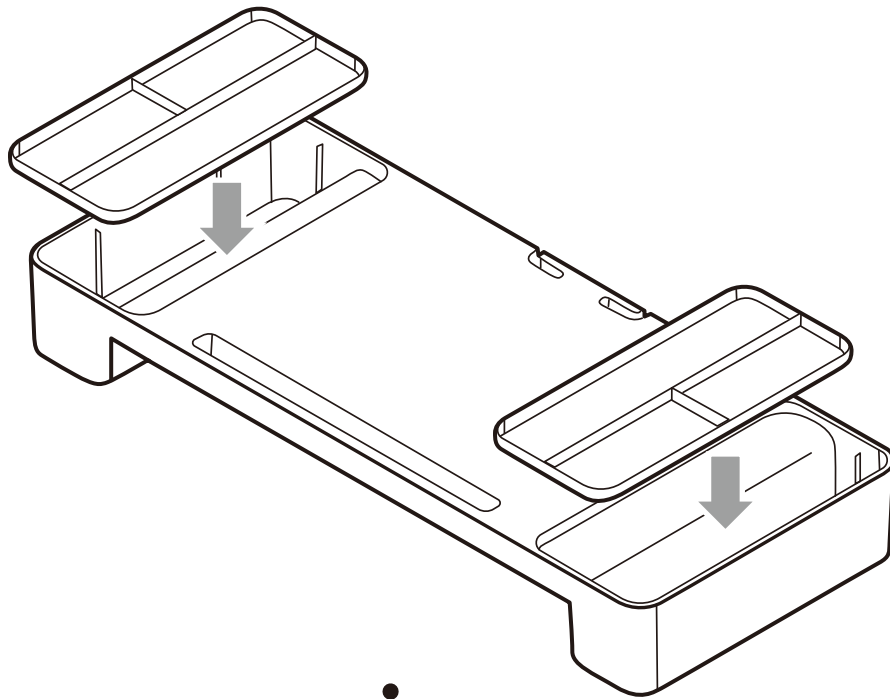


Organizing Monitor Stand

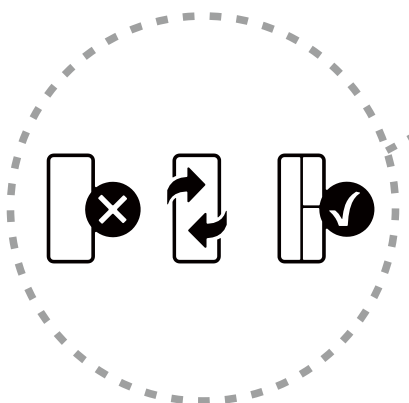
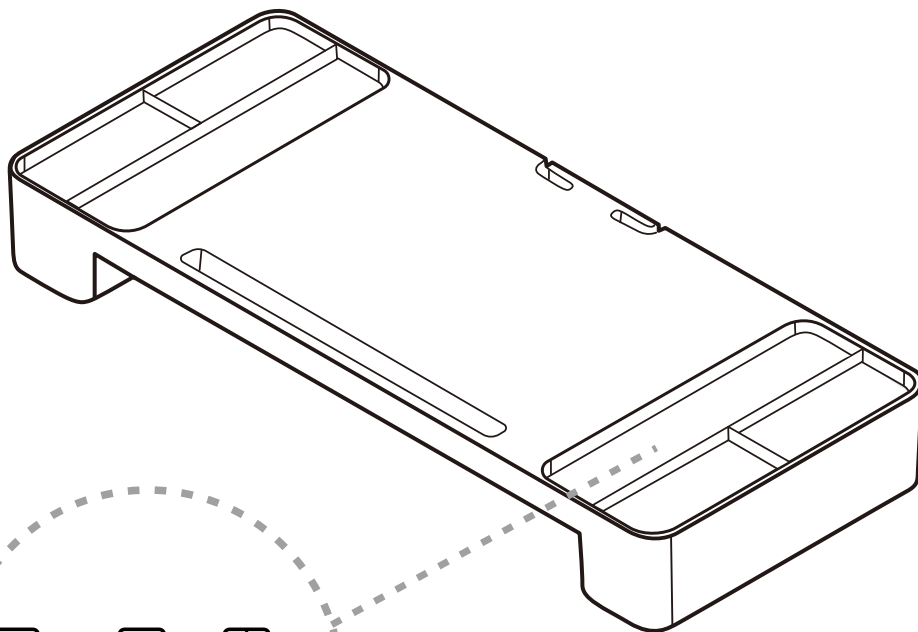


kensington.com/register

1

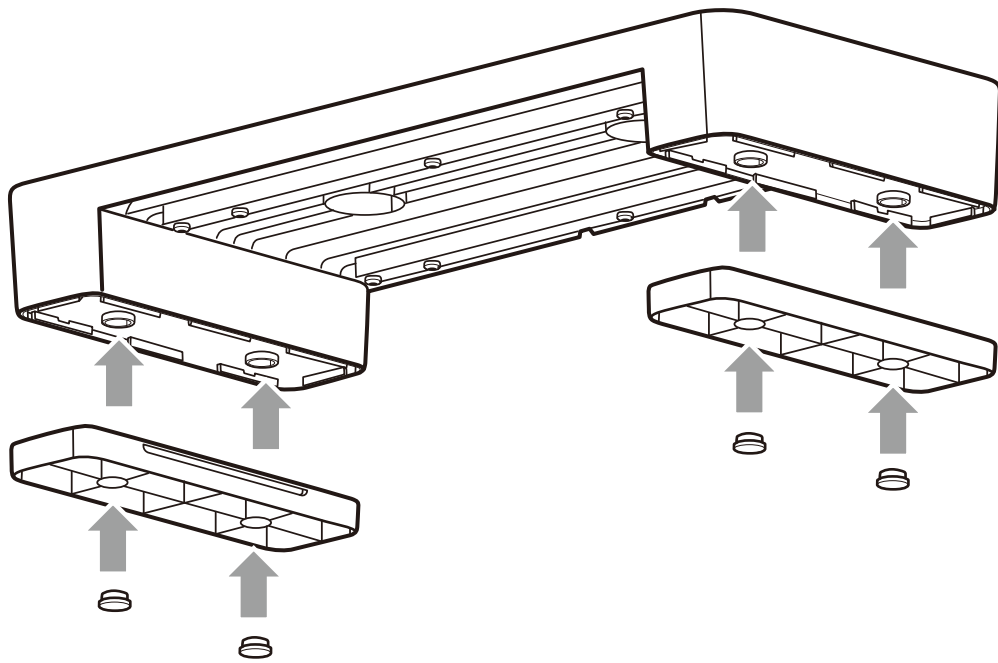


...

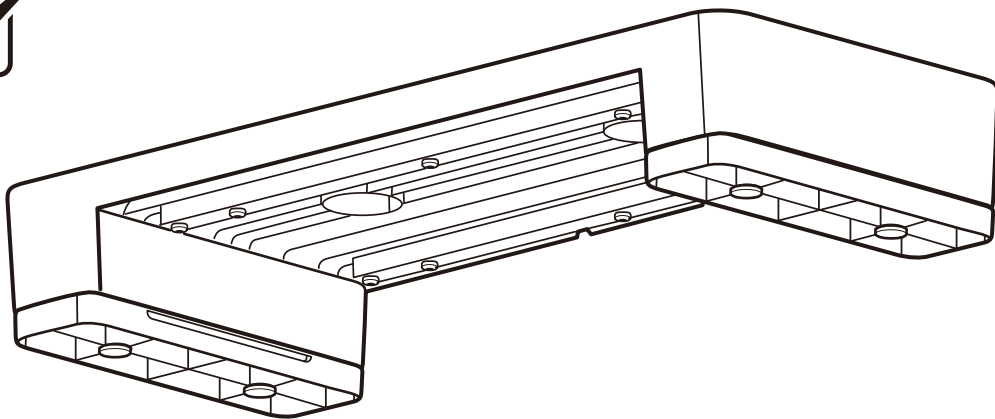


2

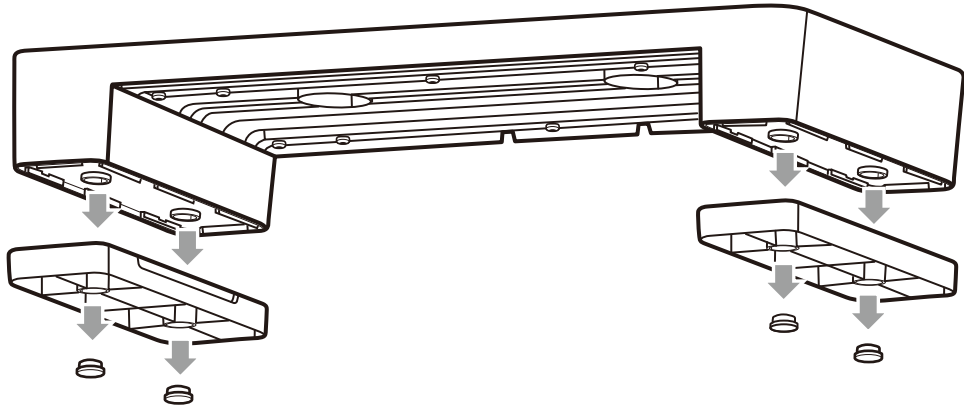
a



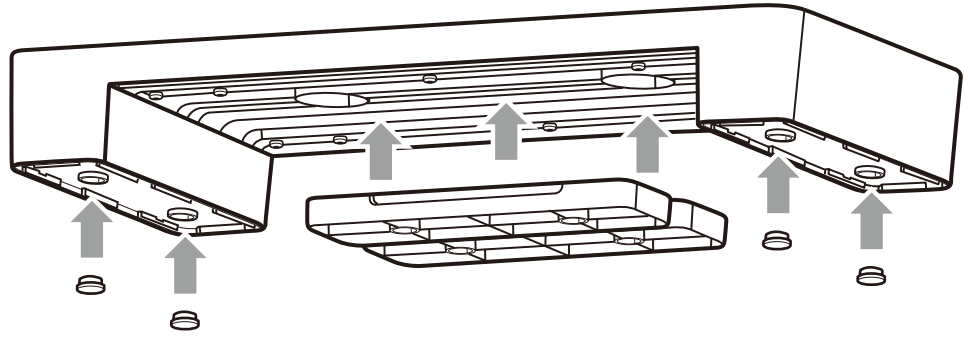
...



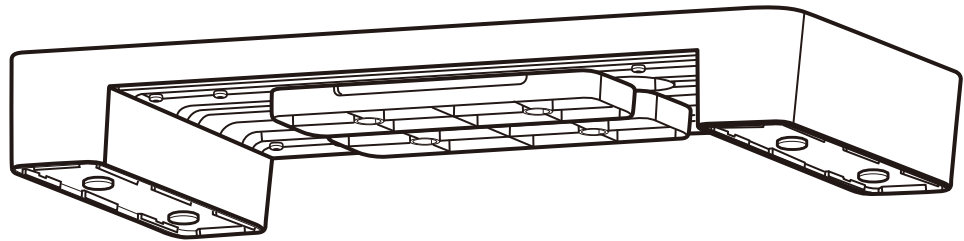
b



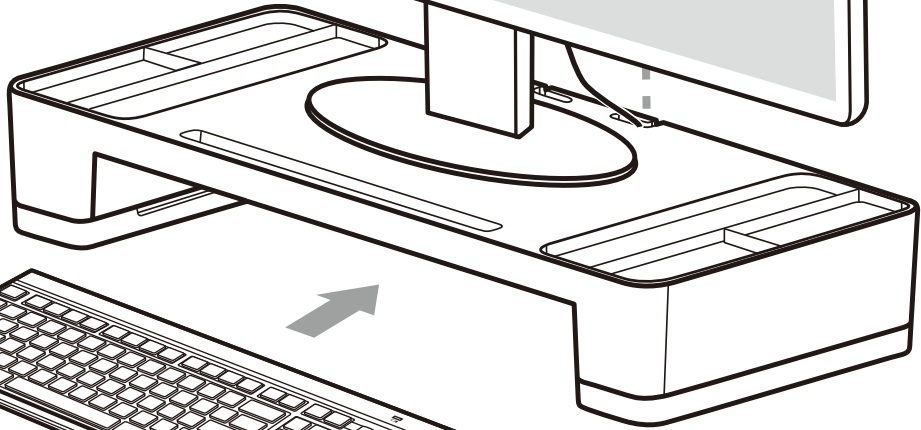
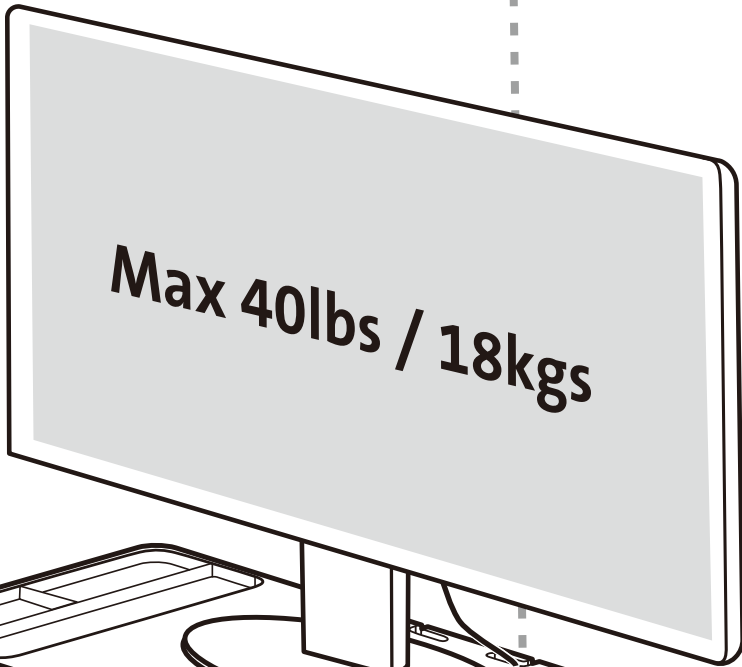
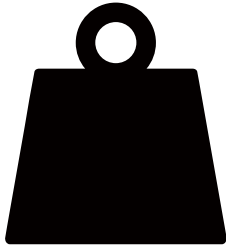
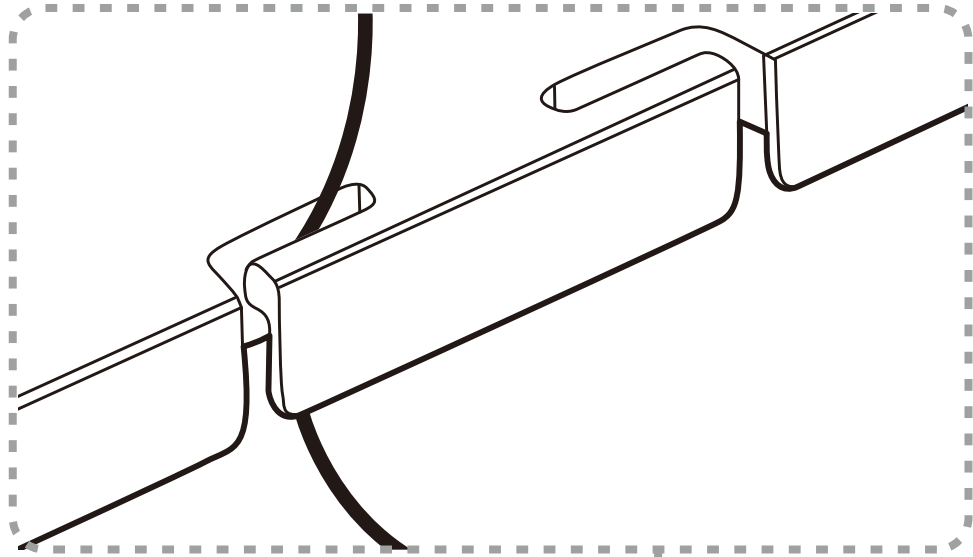
...

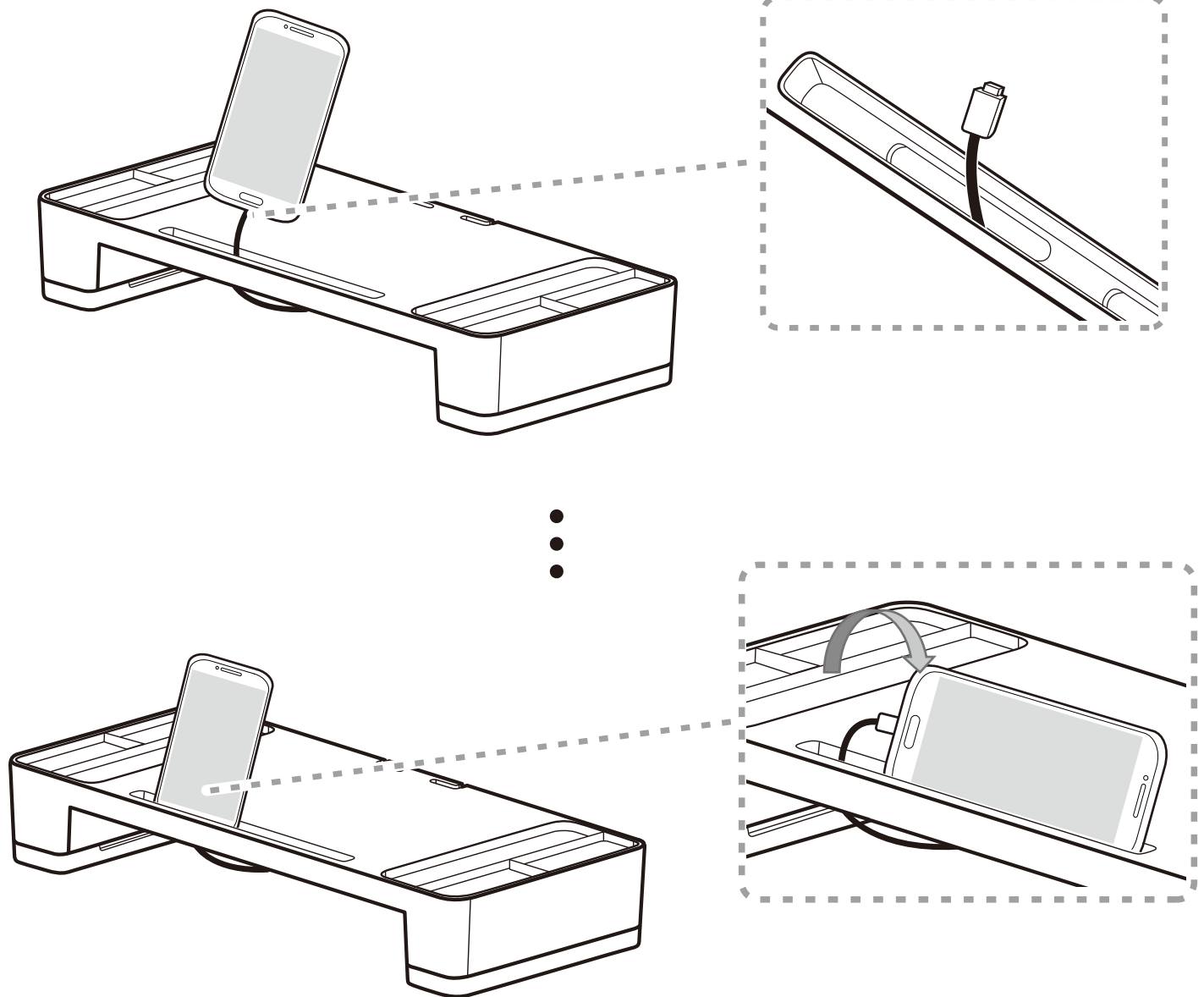


...



3





Kensington, SmartFit and ACCO are registered trademarks of ACCO Brands. All other registered and unregistered trademarks are the property of their respective owners.

© 2020 Kensington Computer Products Group, a division of ACCO Brands USA LLC. Any unauthorized copying, duplicating, or other reproduction of the contents hereof is prohibited without written consent from Kensington Computer Products Group. All rights reserved. 07/20



Kensington Computer Products Group
A Division of ACCO Brands
1500 Fashion Island Blvd, 3rd Floor
San Mateo, CA 94404, USA



Importer:
LEITZ ACCO Brands GmbH & Co KG
Siemensstraße 64
70469 Stuttgart
Germany

Импортер:
ООО "Эсселте", Россия, 125040,
Москва, 3-я улица Ямского поля,
д.18, тел.
+7(495)933-27-63

Дистрибутор:
Есселте Польска Сп. з о.о.,
вулиця Пшемислова, 11А,
26-900 Козеніце

ACCO Brands Canada Inc
7381 Bramalea Rd
Mississauga, ON L5S 1C4
accobrandscanada.com

Dystrybutor:
Esselte Polska Sp. z o.o., ul.
Przemysłowa 11A,
26-900 Kozienice

ACCO Brands Australia - Kensington
2 Coronation Avenue
Kings Park NSW 2148
Australia

Importado por ACCO Mexicana S.A. de C.V.
Circuito de la Industria Norte # 6,
Corredor Industrial Toluca Lerma,
Lerma México Cp. 52004
R.F.C. AME640229-1W3

Forgalmazza:
Esselte Kft, Váci út 76. V. torony 1.
emelet,
1133 Budapest,
Magyarország

Acco Brands Chile S.A.,
Avda. Presidente Riesco # 5711,
oficina 201
Las Condes, Santiago, Chile
CP 7561114
www.accobrands.cl

Distribútor:
Esselte, s.r.o., V Lužich 818,
142 00 Praha 4,
Česka republika

Distribuitor:
Esselte Sales SRL, Gheorghe
Tîlţea 121C,
Sector 2, Bucureşti,
România

ACCO Brands Asia Pte Ltd
5A Toh Guan Road East #06-03,
Singapore 608830

Importado e Distribuído por:
TILIBRA PRODUTOS DE PAPELARIA LTDA.
CNPJ: 44.990.901/0001-43
Rua Aymorés, 6-9 – Bauru/SP –
Brasil
CEP 17013-900
sac@tilibra.com.br

Өндүрүшү:
Esselte Polska Sp. z o.o., ul.
Przemysłowa 11A, 26-900
Kozienice
Импортуушы: "АБДИ Компани"
АК, Алматы к., Сейфуллин даңг.
465/191

广州市爱珂贸易有限公司
广州市天河区林和西路159号
中泰国际北塔5楼, 501/701室
邮编: 510620
电话: 400 600 4599
网址: <https://www.kensington.com/zh-CN>
邮箱: infocn@kensington.com

アコ・ブランド・ジャパン株式会社
〒164-8721
東京都中野区本町1-32-2
ハーモニータワー14F
<https://www.kensington.com/ja-JP>
E-MAIL: JP.Kensington@acco.com

Designed in California, U.S.A.
by Kensington
www.kensington.com