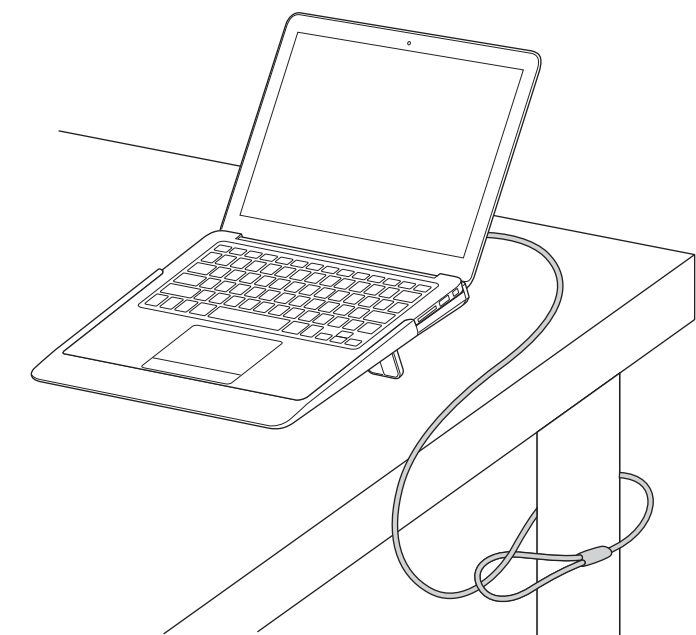
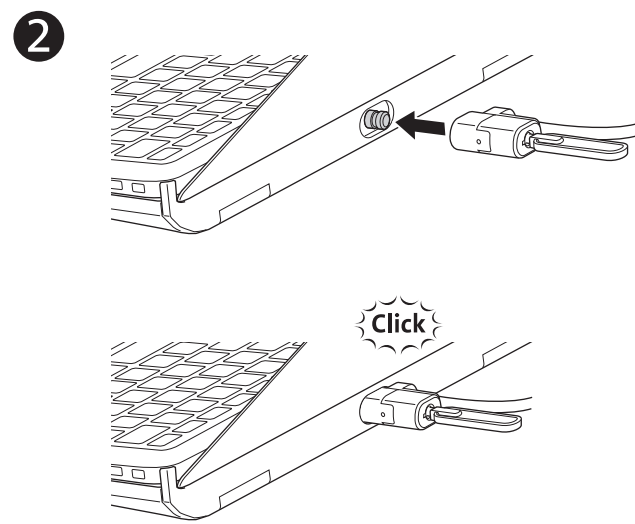
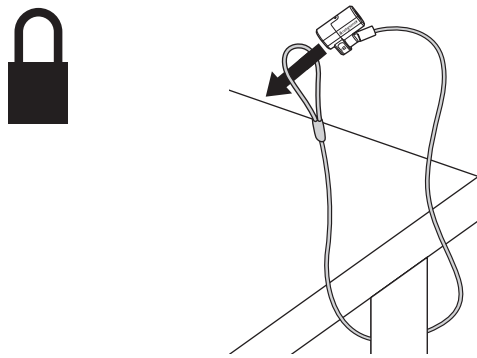
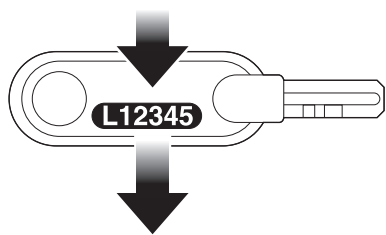


1 Locking / Verrouillage / Abschließen / Vergrendelen / Blocco / Bloqueo / Zárás / Uzamknutí / Blokowanie / Блокировка / Bloqueio



!
IMPORTANT! REGISTER YOUR COMBINATION! /
IMPORTANT ! ENREGISTREZ VOTRE COMBINAISON !
WICHTIG! REGISTRIEREN SIE IHRE KOMBINATION!
BELANGRIJK! REGISTREER UW COMBINATIE!
IMPORTANTE! REGISTRARE LA COMBINAZIONE!
IMPORTANTE: ¡REGISTRE SU COMBINACIÓN!
FONTOS! REGISZTRÁLJA A KOMBINÁCIÓJÁT!
DŮLEŽITÉ! ZAREGISTRUJTE SI SVOU KOMBINACI!
UWAGA! ZMIEN SWÓJ SZYFR!
ВАЖНО! КОДОВАЯ КОМБИНАЦИЯ ДОЛЖНА БЫТЬ
ЗАРЕГИСТРИРОВАНА!
IMPORTANTE! REGISTRE A SUA COMBINAÇÃO!



register.kensington.com

#

Kensington and the ACCO name and design are registered trademarks of ACCO Brands. The Kensington Promise is a service mark of ACCO Brands. SafeDock and ClickSafe are trademarks of ACCO Brands. MacBook Air is a trademark of Apple Inc., registered in the U.S. and other countries. All other registered and unregistered trademarks are the property of their respective owners. Covered by one or more of US Pat. No's 6,081,974; 6,317,936; 6,360,405.
 ©2012 Kensington Computer Products Group, a division of ACCO Brands. Any unauthorized copying, duplicating, or other reproduction of the contents hereof is prohibited without written consent from Kensington Computer Products Group. All rights reserved. 08/12

2 **TWO YEAR LIMITED WARRANTY**
GARANTEE LIMITEE DE DEUX ANS
 For technical support visit:
 Pour tout support technique veuillez visiter:
www.kensington.com

The Kensington Promise™
 Complete warranty terms are available at:
www.warranty.kensington.com

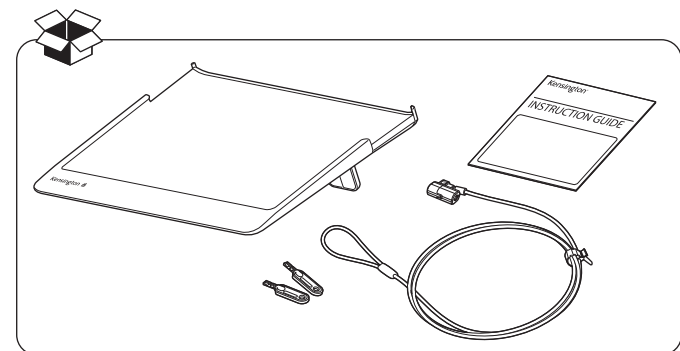
<p>Kensington Computer Products Group A Division of ACCO Brands 333 Twin Dolphin Drive, 6th Floor Redwood Shores, CA 94065 Designed in California, U.S.A. by Kensington Made in China www.kensington.com</p>	<p>ACCO Brands Europe Oxford House Oxford Road Aylesbury Bucks, HP21 85Z United Kingdom</p>	<p>ACCO Brands Canada 5 Precidio Court Brampton Ontario, L6S 6B7 Canada</p>	<p>ACCO Australia Level 2, 8 Lord St Botany NSW 2019 PO Box 311 Rosebery NSW 1445 Australia</p>
<p>ACCO MEXICANA, S.A. DE C.V. Avenida Circuito de la Industria Norte # 6 Parque Industrial Lerma, Lerma, 52000 Estado de Mexico MEXICO</p>	<p>Acco Brands Chile S.A., Avda. San Josemaria Escrivá de Balaguer N°5773 Vitacura, C.P. 7640870 Santiago, Chile</p>	<p>Tilibra Produtos de Papelaria Ltda. Rua Aimorés, 6-9 Bauru, CEP 17.013-900 São Paulo, Brasil</p>	

Kensington®

SafeDock™

MacBook Air® Security Dock & Lock

<p>INSTRUCTION GUIDE GUIDE D'INSTRUCTIONS BEDIENUNGSANLEITUNG HANDLEIDING MANUALE DI ISTRUZIONI MANUAL DE INSTRUCCIONES</p>	<p>HASZNÁLATI ÚTMUTATÓ PŘÍRUČKA S POKYNY INSTRUKCJA OBSŁUGI РУКОВОДСТВО ПОЛЬЗОВАТЕЛЯ MANUAL DE INSTRUÇÕES</p>
--	---



Register Now!
Enregistrer maintenant !
Jetzt registrieren!
Nu registreren
Registrar ahora
Registra adesso

Regisztráljon most!
Zaregistrujte se nyní!
Zarejestruj się!
Зарегистрироваться!
Registe-se agora!

register.kensington.com