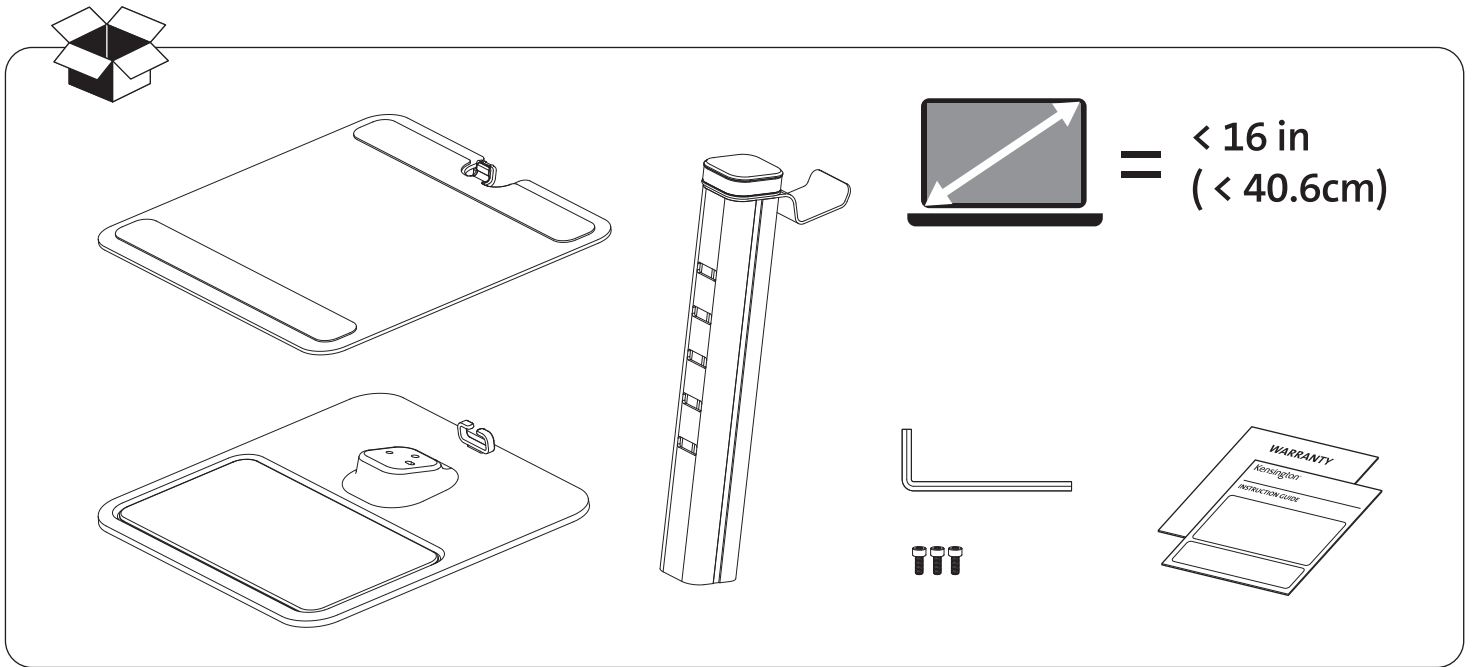
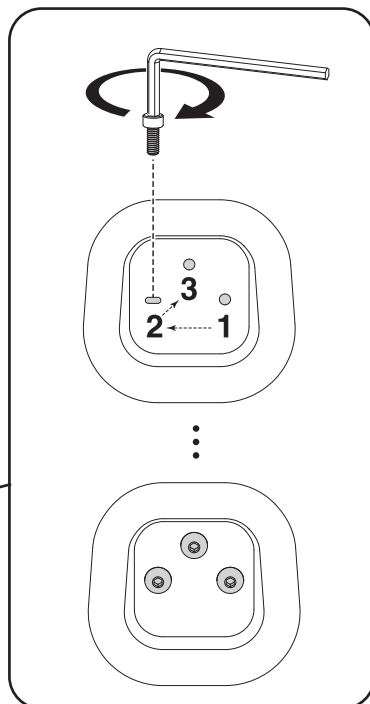
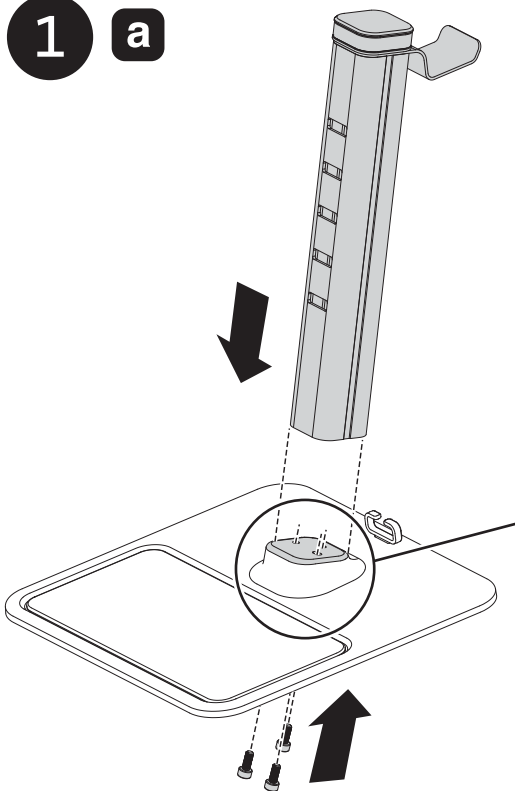




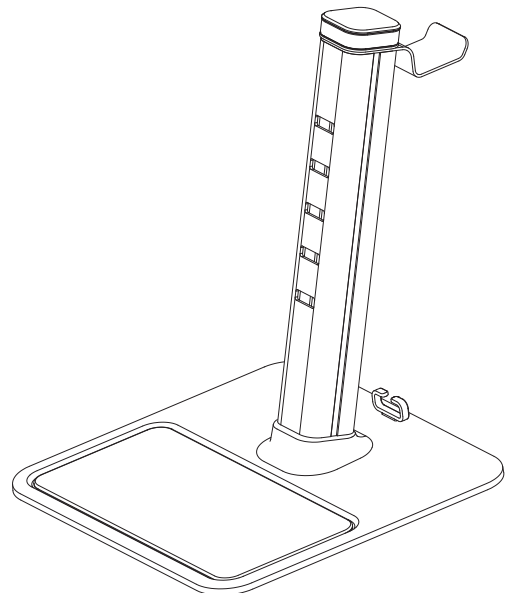
SmartView™ Organizing Laptop Riser SmartFit® Universal Organizing Laptop Riser



1 a



b

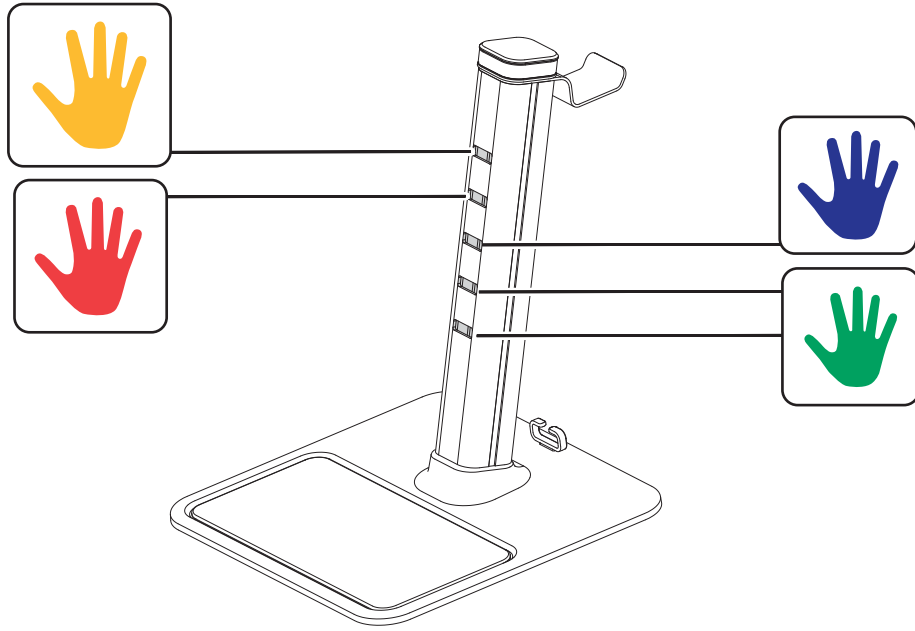


2

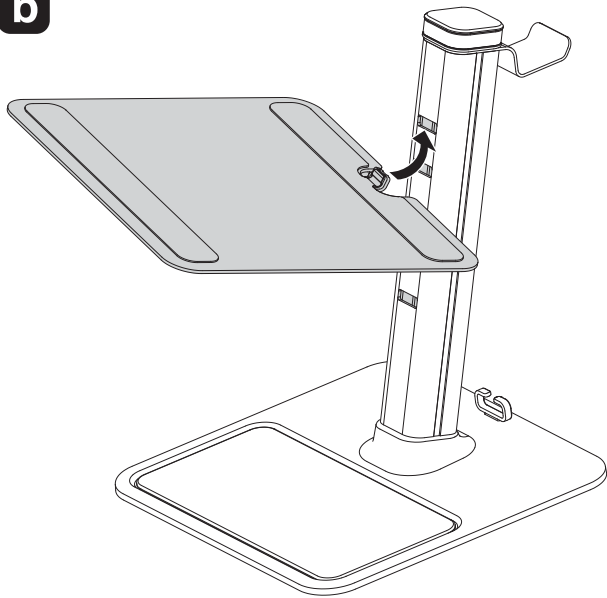


3

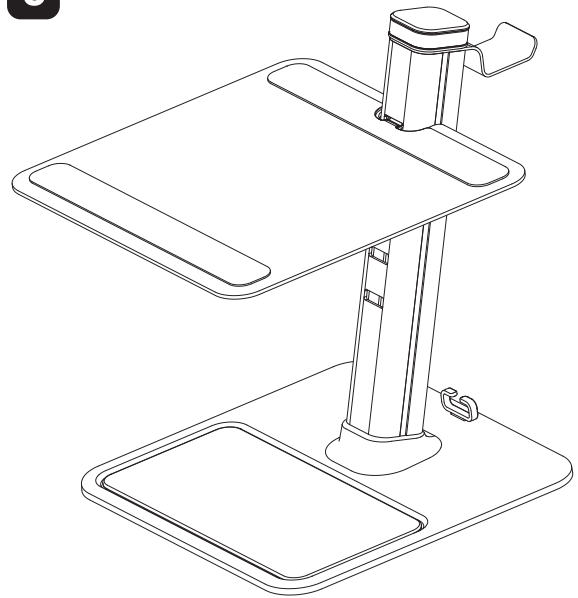
a



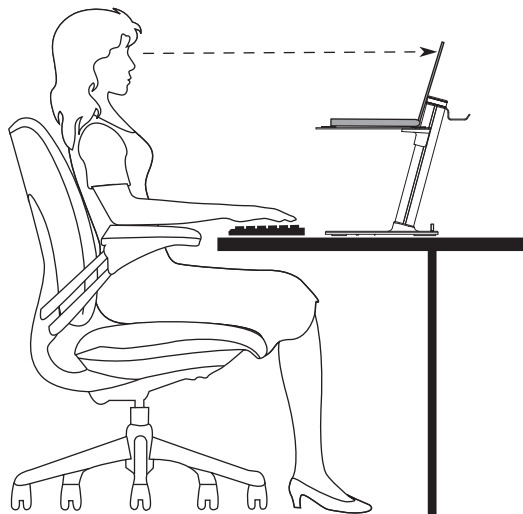
b

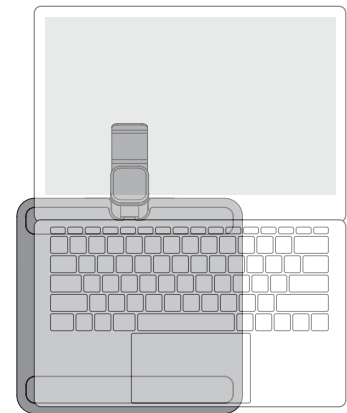
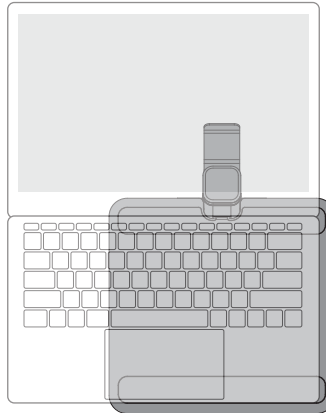
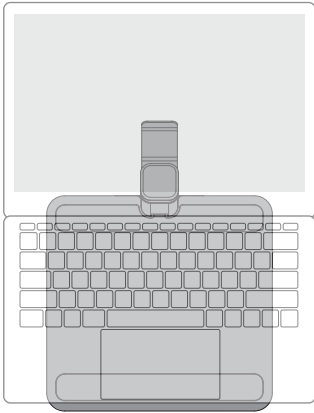


c



4





[kensington.com/register](https://www.kensington.com/register)



www.kensington.com/support

Kensington and the ACCO name and design are registered trademarks of ACCO Brands. All other registered and unregistered trademarks are the property of their respective owners.

