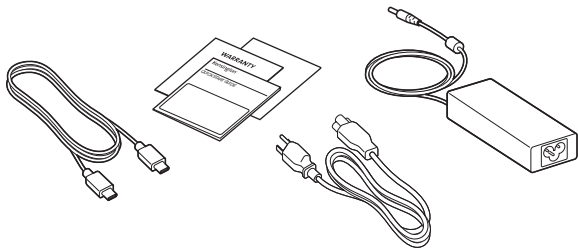
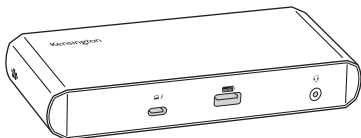


# Kensington®

## SD5500T Thunderbolt™ 3 and USB-C Docking Station

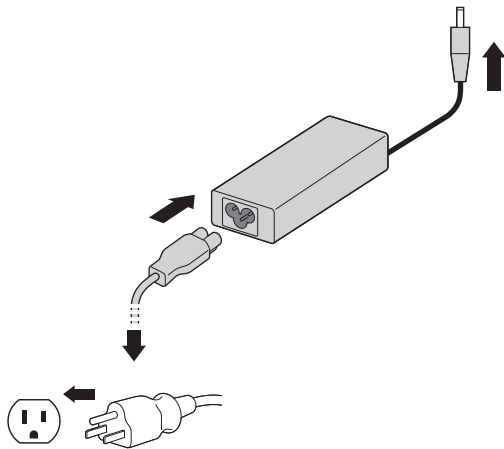
### QUICK START GUIDE



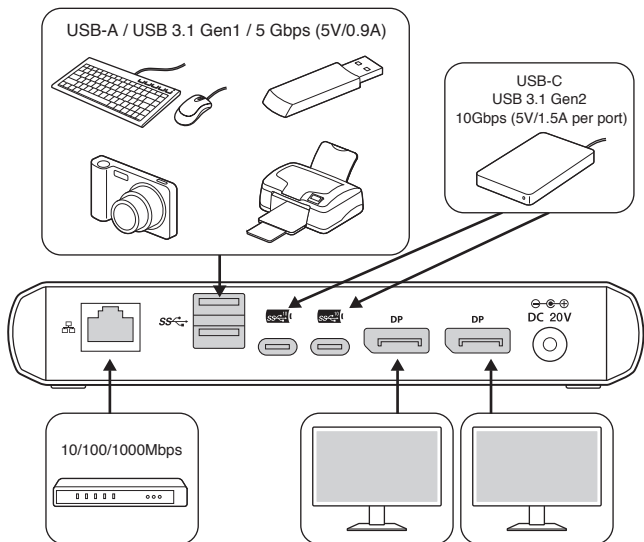
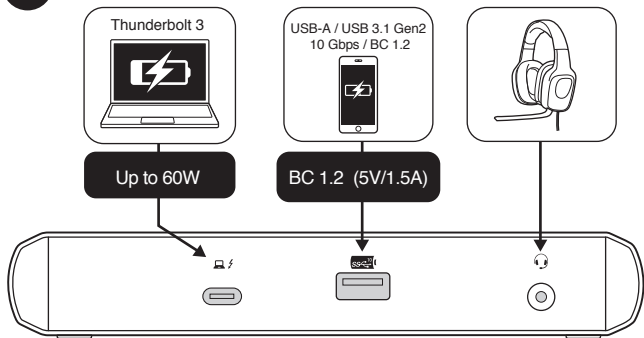
Register Now!

[www.kensington.com/register](http://www.kensington.com/register)

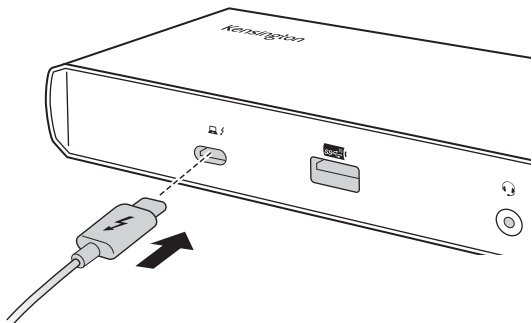
1



2

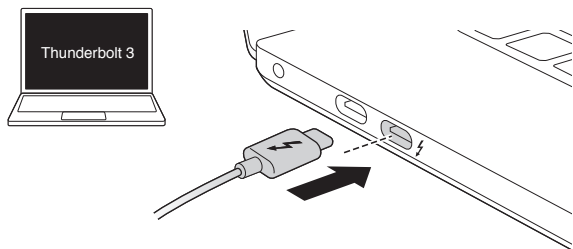


**3**

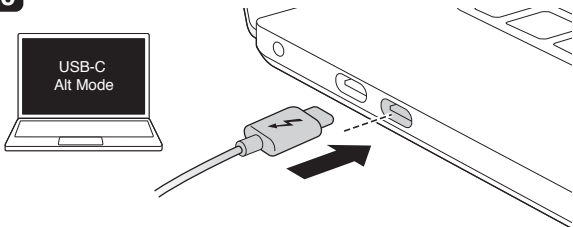


**4**

**a**

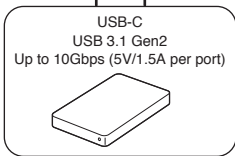
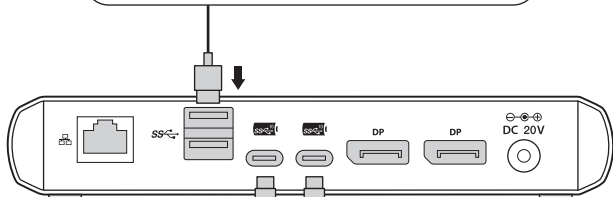
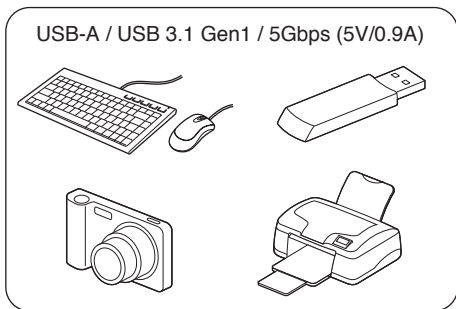
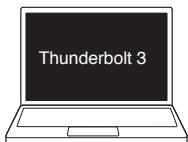


**b / c**

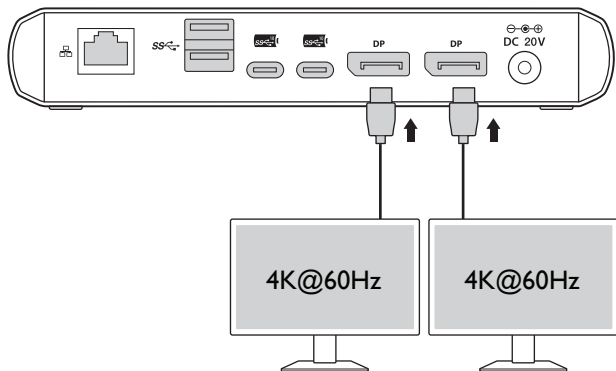
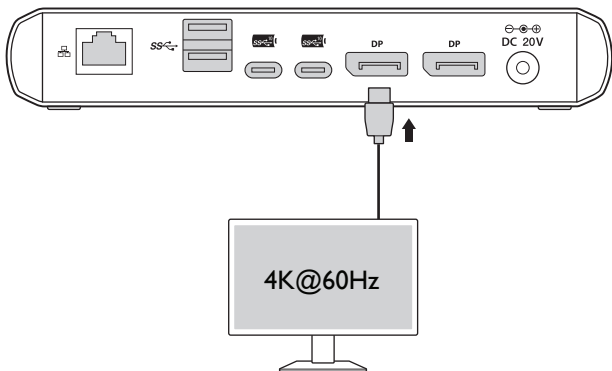
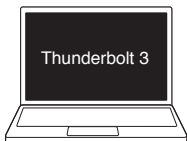


5

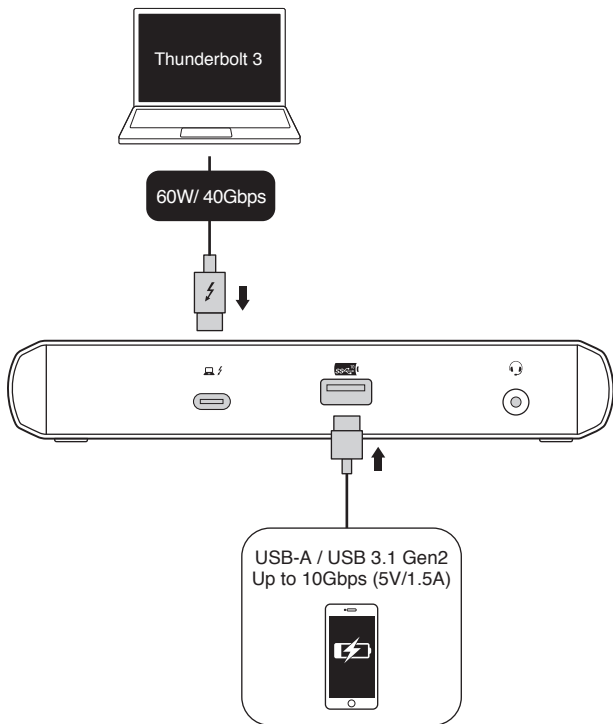
a.1



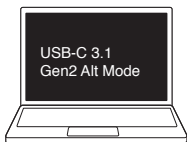
**a.2**



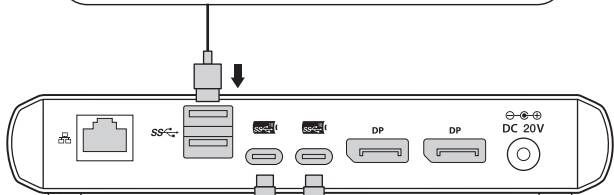
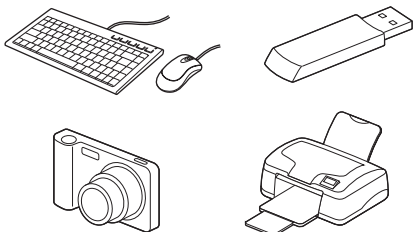
**a.3**



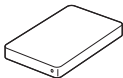
**b.1**



USB-A / USB 3.1 Gen1 / up to 5 Gbps (5V/0.9A)

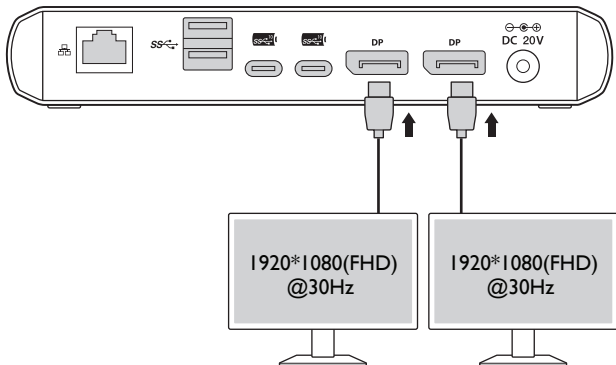
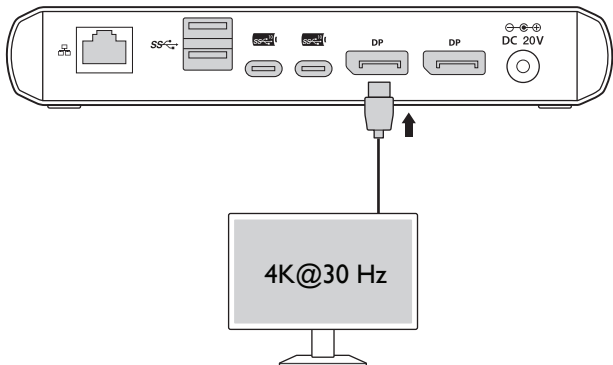
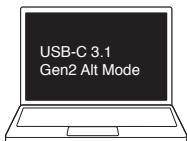


USB-C  
USB 3.1 Gen2  
Up to 10Gbps (5V/1.5A per port)

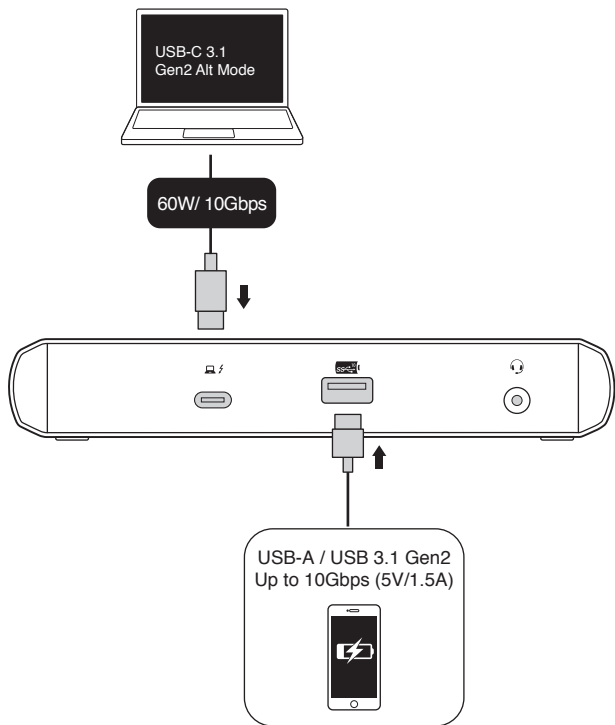




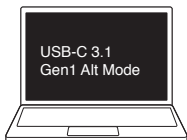
**b.2**



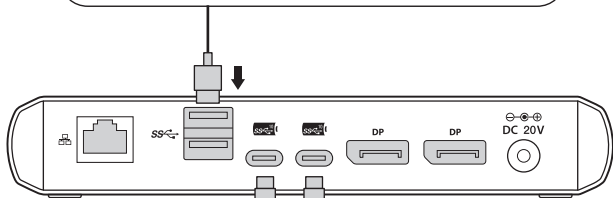
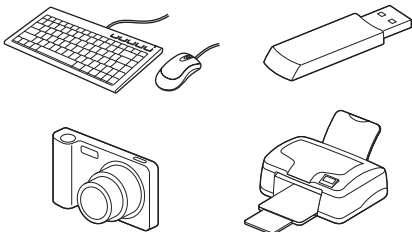
**b.3**



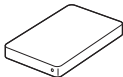
**C.1**



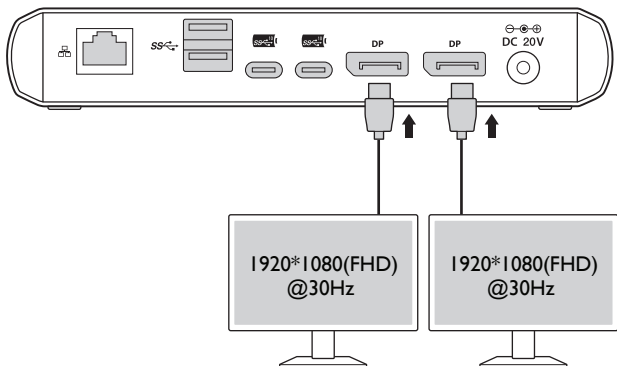
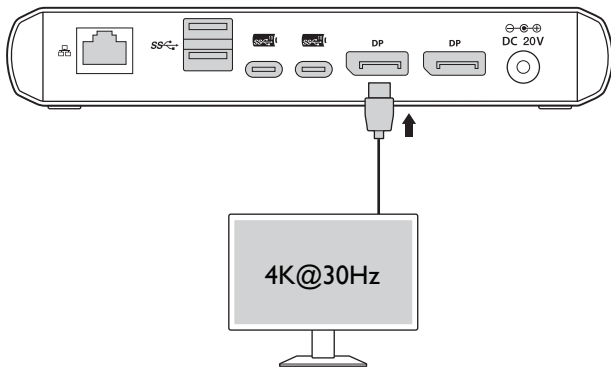
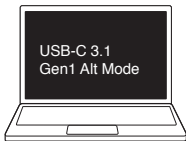
USB-A / USB 3.1 Gen1 / up to 5Gbps (5V/0.9A)



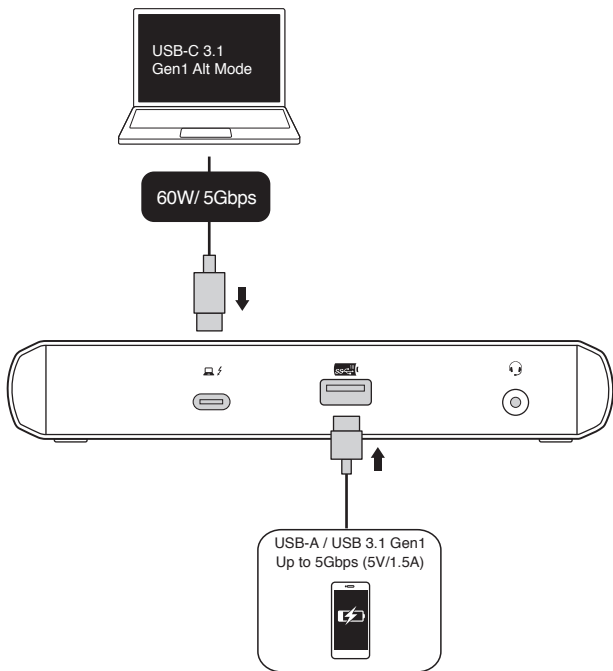
USB-C  
USB 3.1 Gen1  
Up to 5Gbps (5V/1.5A per port)



**C.2**



**c.3**



## 6 Initial Thunderbolt 3 connection for Windows

### New Thunderbolt™ device have been attached

Thunderbolt™ devices were attached. In order to approve them for use this application must be run with administrator privileges.  
Click OK to run the Thunderbolt™ software with administrator privileges.

OK

Cancel

### 6.1 Manage Thunderbolt 3 devices and settings later



### 6.2

View Attached Devices  
Approve Attached Devices ▸  
Manage Approved Device

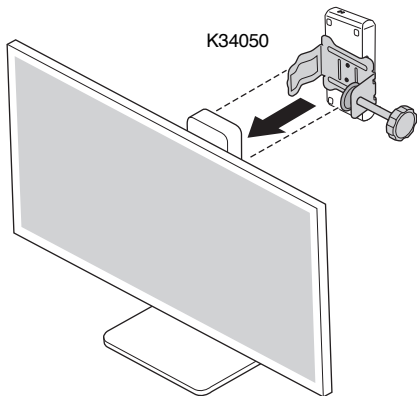
Settings

Exit

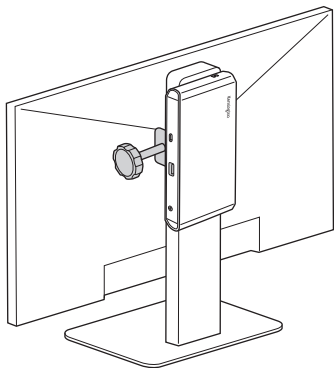


**Sold separately**

**1**

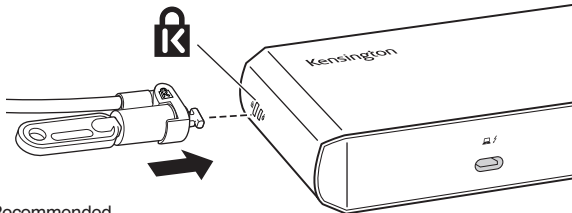


**2**



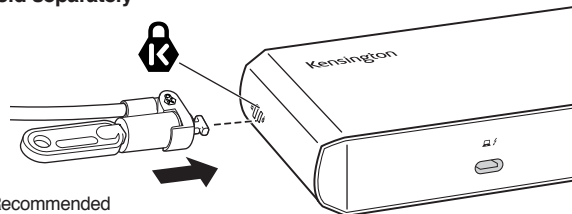
**Docking Station Mounting Bracket**

**Sold separately**

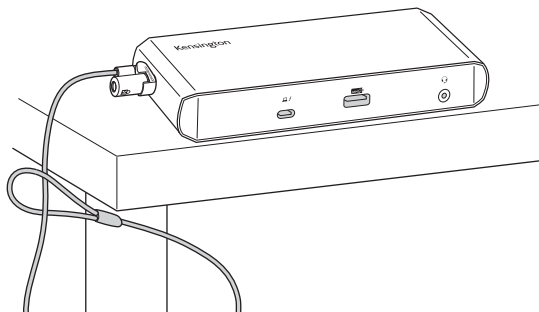


Recommended  
K65020WW MicroSaver®2.0 Keyed Lock

**Sold separately**



Recommended  
K64444WW NanoSaver™ Keyed Laptop Lock





Kensington and the ACCO name and design are registered trademarks of ACCO Brands. All other registered and unregistered trademarks are the property of their respective owners.

©2019 Kensington Computer Products Group, a division of ACCO Brands. Any unauthorized copying, duplicating, or other reproduction of the contents hereof is prohibited without written consent from Kensington Computer Products Group. All rights reserved. 8/19



Kensington Computer Products Group  
A Division of ACCO Brands  
1500 Fashion Island Blvd, 3rd Floor  
San Mateo, CA 94404



K38130

901-0076-00