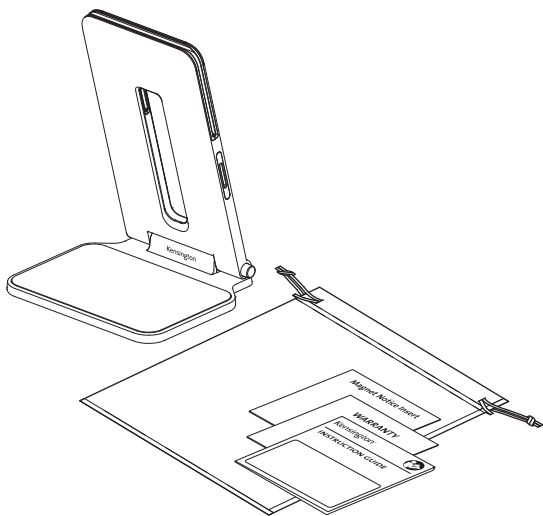


# Kensington®

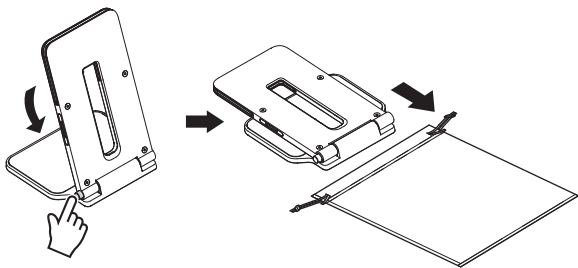
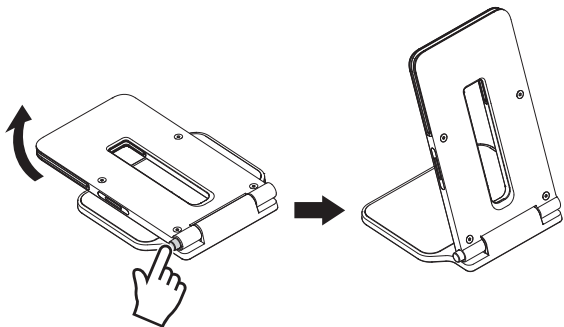


## Elevated Stand for Surface™

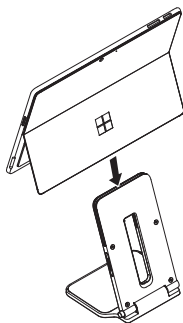


[kensington.com/register](http://kensington.com/register)

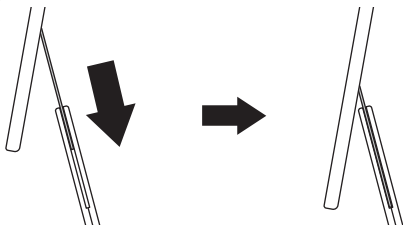
1



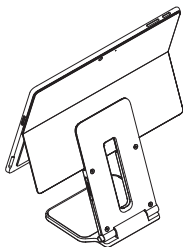
**2 a**

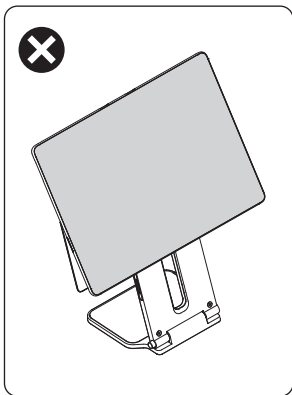
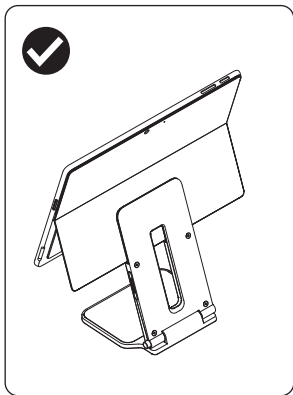


**b**



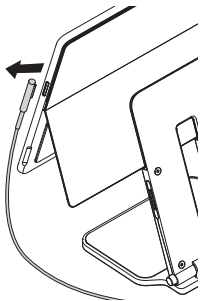
**c**



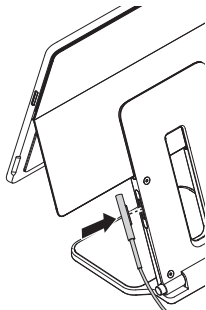


**3**

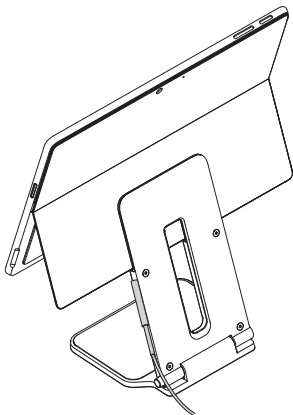
**a**



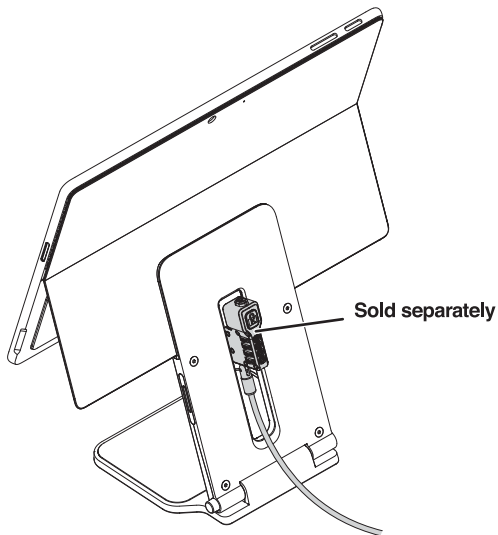
**b**



**c**



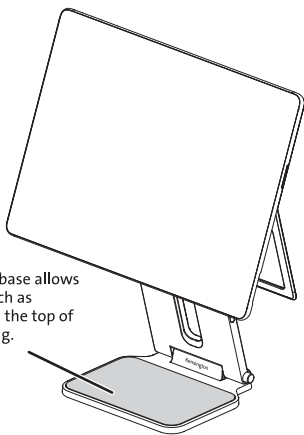
**Sold separately**



**Recommended**

**K68136WW Keyed Cable Lock for Surface Pro and Surface Go**

**K68130WW Combination Cable Lock for Surface Pro and Surface Go**



\*Anti-slip surface on top of base allows user to store accessories such as smartphones or earbuds on the top of the base minimizing slipping.

- DE** \*Die rutschfeste Oberfläche auf der Oberseite des Sockels ermöglicht es Ihnen, Zubehör wie Smartphones oder Ohrhörer sicher darauf zu verstauen.
- FR** \*La surface antidérapante recouvrant la base permet à l'utilisateur de ranger des accessoires tels que des Smartphones ou des écouteurs dessus tout en minimisant leur glissement.
- IT** \*La superficie antiscivolo nella parte superiore della base consente di riporre accessori come smartphone o auricolari sulla parte superiore della base, riducendo al minimo lo scivolamento.
- ES** \*La superficie antideslizante de la parte superior de la base permite al usuario guardar accesorios como smartphones o auriculares en ella minimizando el deslizamiento.
- PT** \*A superfície antiderrapante na parte superior da base permite ao utilizador colocar acessórios de armazenamento como, por exemplo, smartphones ou auriculares, na parte superior da base, minimizando o escorregamento.

**CN** \*底座顶部表层采用防滑材质，方便用户在上面存放智能手机、耳塞式耳机等配件，并无需担心滑落。

**JP** \*ベース上部の滑り止め加工によりスマートフォンやイヤフォンなどのアクセサリを、滑らないようにベース上部に格納することができます。

**AE** سطح مضاد للانزلاق يثبت في أعلى القاعدة يسمح للمستخدم بوضع مستلزمات المتجر مثل الهواتف الذكية أو سماعات الأذن في أعلى القاعدة للحد من الانزلاق.



[www.kensington.com/support](http://www.kensington.com/support)

©/TM/® 2024 Microsoft. Microsoft, the Microsoft logo, Microsoft Surface, Surface, and the Microsoft Surface logo are trademarks of the Microsoft group of companies. All other trademarks are the property of their respective owners.

Kensington® is a registered trademark of ACCO Brands. All other registered and unregistered trademarks are the property of their respective owners.

© 2024 Kensington Computer Products Group, a division of ACCO Brands.

Patents: <https://www.accobrand.com/patents/>



**MIX**  
Packaging from  
responsible sources  
**FSC® C178187**